

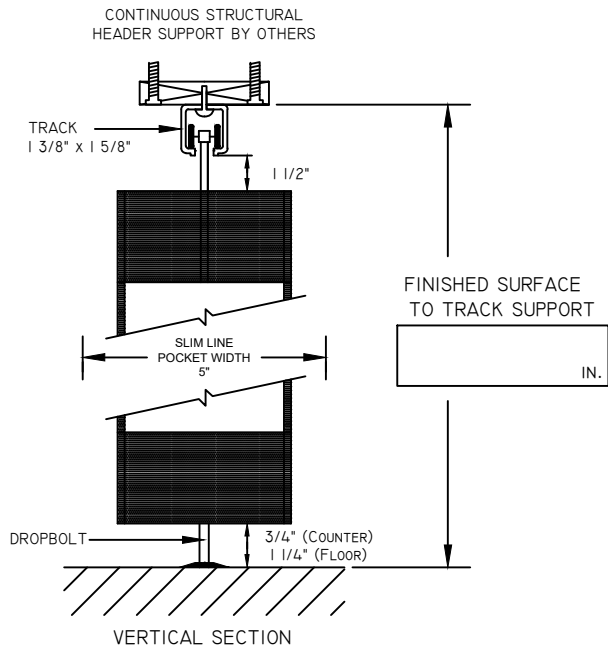



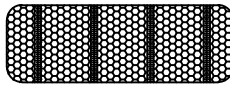

DYNAMIC
CLOSURES

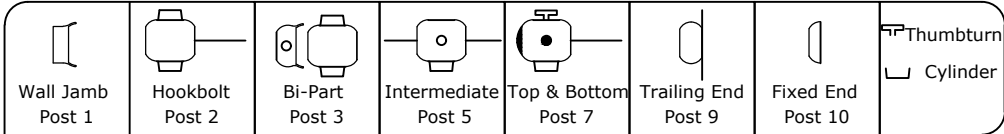
Canada
P.O. Box 1296
Cornwall, ON
K6H 5V4

Tel: 1-800-663-4599
Fax: 1-800-205-6665
E-mail: customerservice@dynamicclosures.com

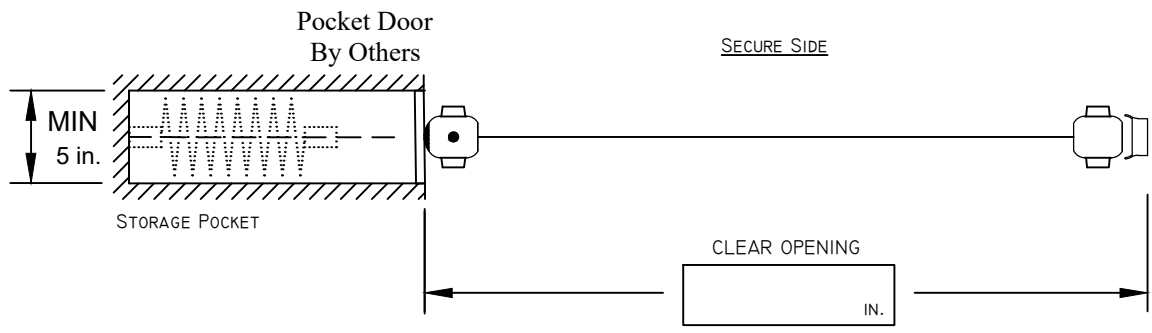
USA
P.O. Box 627
Massena, NY
13662



- MODEL**
-  S154 Rod And Link
 -  SL PARAVENT Perforated Aluminum Panels
 -  SL OPAQUE Solid Aluminum Panels
- FINISH**
- Clear Anodized (standard)
 - Anodized - Other



Post Legend



ALL DRAWINGS NOT TO SCALE

Customer Name: _____	Customer Phone: _____	Project Name: _____
Customer Address: _____	Customer Email: _____	Project Address: _____