



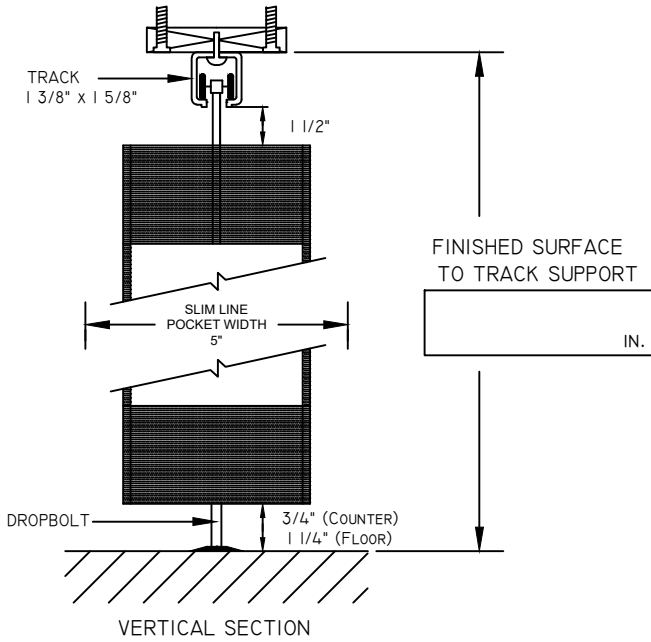
DYNAMIC
CLOSURES

Canada
P.O. Box 1296
Cornwall, ON
K6H 5V4

Tel: 1-800-663-4599
Fax: 1-800-205-6665
E-mail: customerservice@dynamicclosures.com

USA
P.O. Box 627
Massena, NY
13662

CONTINUOUS STRUCTURAL
HEADER SUPPORT BY OTHERS



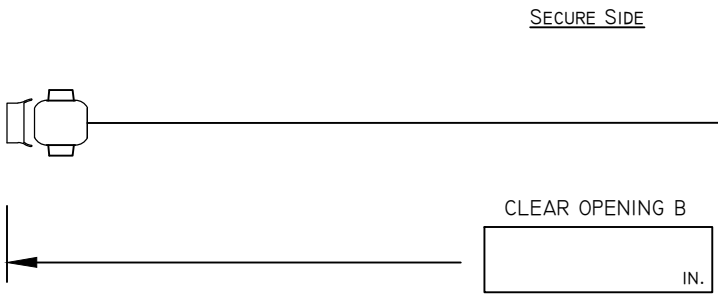
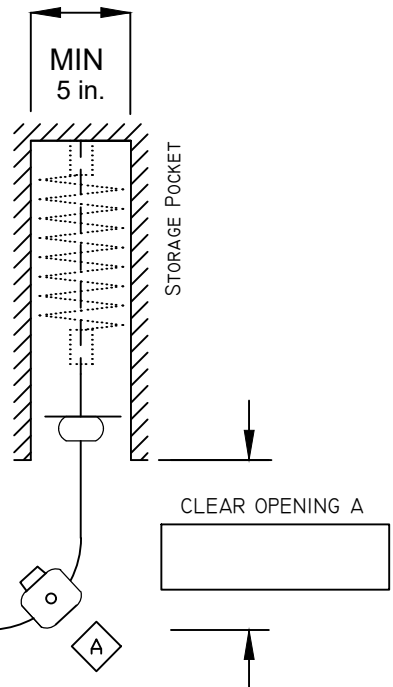
- MODEL
- S154
Rod And Link
 - SL PARAVENT
Perforated Aluminum Panels
 - SL OPAQUE
Solid Aluminum Panels
 - SL PRESTIGE
Polycarbonate Panels

- FINISH
- Clear Anodized (standard)
 - Anodized - Other

- | | | | | | | | |
|---------------------|--------------------|-------------------|------------------------|------------------------|------------------------|----------------------|-----------------------|
| | | | | | | | |
| Wall Jamb
Post 1 | Hookbolt
Post 2 | Bi-Part
Post 3 | Intermediate
Post 5 | Top & Bottom
Post 7 | Trailing End
Post 9 | Fixed End
Post 10 | Thumbturn
Cylinder |

Post Legend

- CURVE TYPE
- 90° - 10 in. rad.
 - 90° -14 in. rad.
 - 90° - 22 in. rad.



ALL DRAWINGS NOT TO SCALE

Customer Name: _____	Customer Phone: _____	Project Name: _____
Customer Address: _____	Customer Email: _____	Project Address: _____