

EZ POCKET DOOR INSTALLATION

PARTS LIST



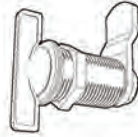
1/4 - 20 x 3/4"
Hex Bolt
(x2)



Self Drilling
Screws
(x4)



Bracket
(x2)



Cam Lock
(x1)

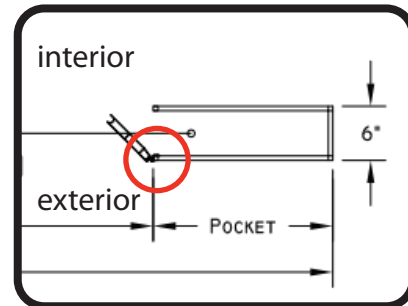


Pocket Door
(x1)

1

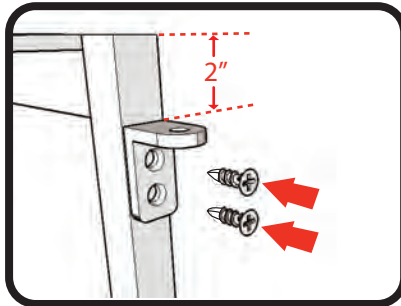
LOCATION OF DOOR

Locate which side of pocket to install the door (as per drawing)

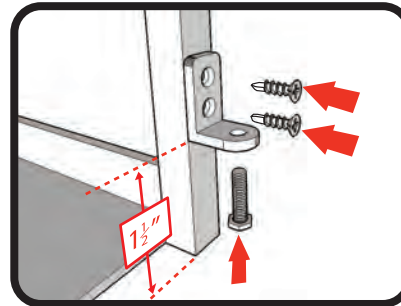


2

BRACKET INSTALLATION



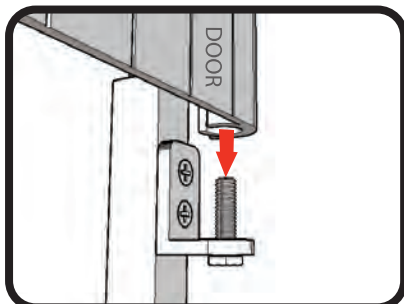
Fasten bracket 2" from the top
with self drilling screws (provided)



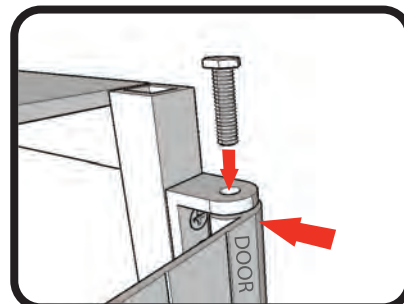
Fasten bracket 1 1/2" from the bottom
with self drilling screws (provided)
then insert hex bolt (provided).

3

DOOR INSTALLATION



Lower bottom of door onto the
hex-bolt.



Align top of door with bracket
and insert hex-bolt (provided).

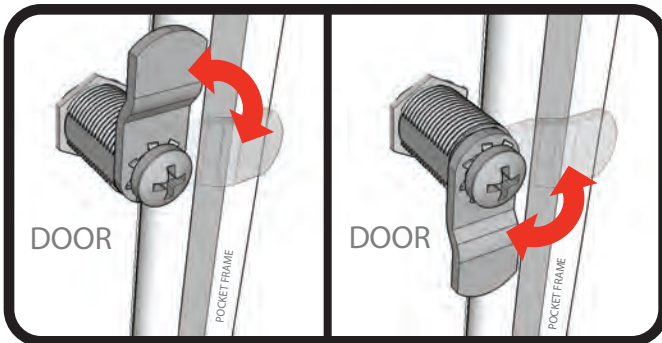
EZ POCKET DOOR INSTALLATION

4

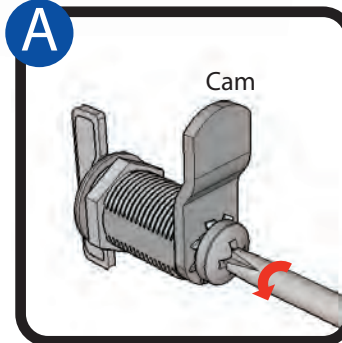
CAM LOCK INSTALLATION



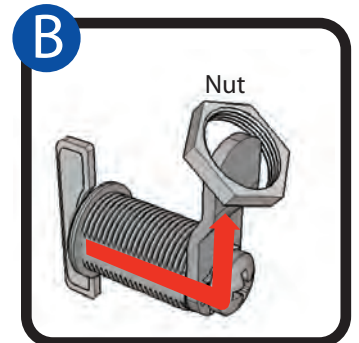
* **NOTE:** Do not remove the Lock Body from the Lock Housing. It contains the Plastic Bearing and Bearing Spring. Removal of the Lock Body could result in the loss of parts.



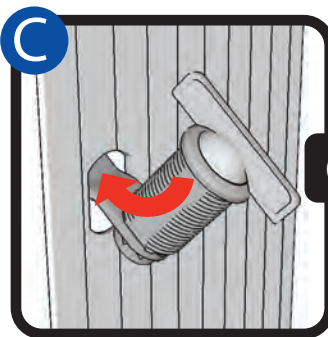
Cam must engage pocket frame to operate properly. Verify cam orientation prior to install.



Loosen screw a 1/4 turn to loosen cam.



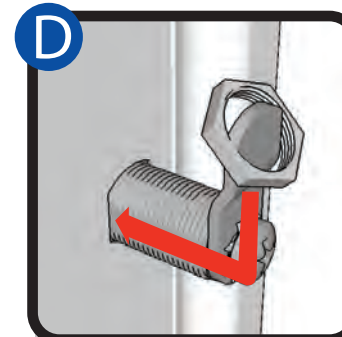
Remove nut.



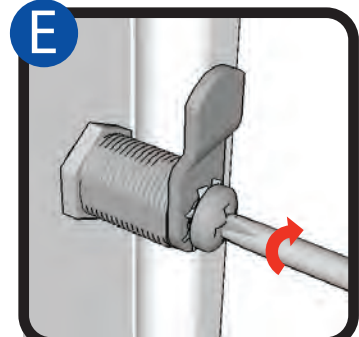
Insert cam lock.



Cam lock alternate installation.

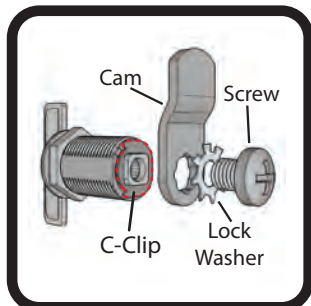


Place nut and tighten to secure cam lock to the door.

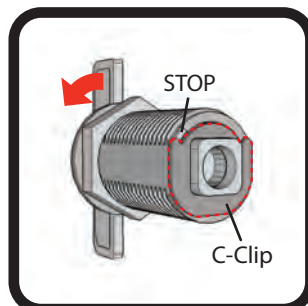


Tighten screw

CHANGING DIRECTION OF LOCK BODY ROTATION

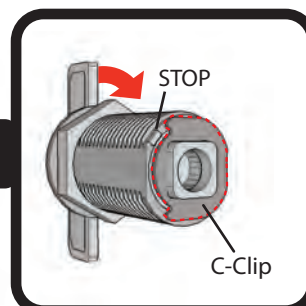


To access C-clip, carefully remove Screw, Lock Washer and Cam.



Placement of C-clip and how it engages the stop will dictate which direction the mechanism will turn.

OR



Once C-clip is in position, replace Screw, Lock Washer and Cam.