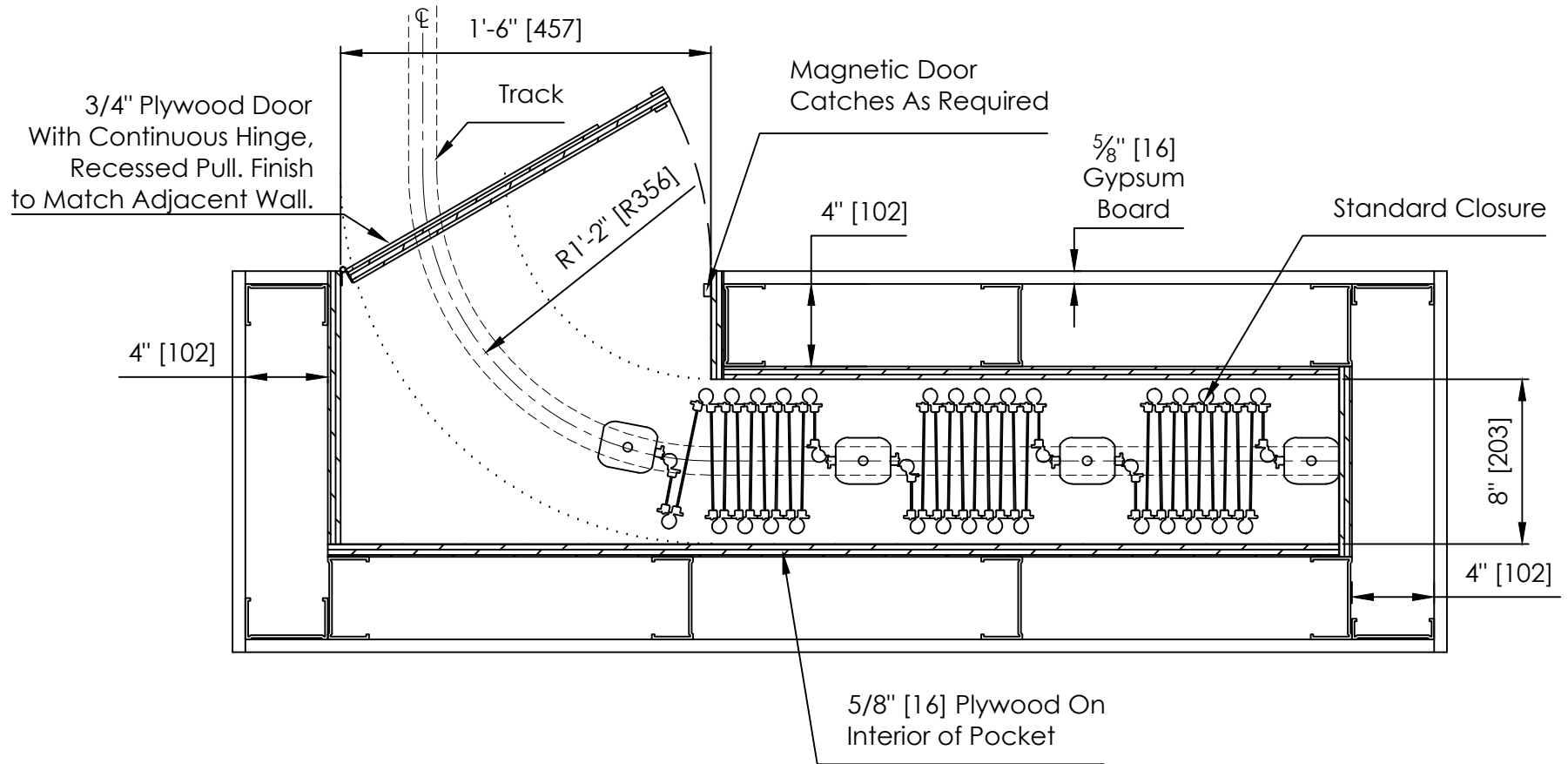


Basic Pocket Construction



Estimated Stack Depth

(Width Inches x 10%) + (Number of Posts x 3) = Estimated Stack Depth (In.)

Example

(240 in. x 0.1) + (3 x 3) = 33 inches

PROPRIETARY AND CONFIDENTIAL
 THE INFORMATION CONTAINED IN THIS DRAWING IS THE SOLE PROPERTY OF DYNAMIC CLOSURES. ANY REPRODUCTION IN PART OR AS A WHOLE WITHOUT THE WRITTEN PERMISSION OF DYNAMIC CLOSURES IS PROHIBITED.

DIMENSIONS ARE IN INCHES STANDARD TOLERANCES APPLY UNLESS OTHERWISE INDICATED	DRAWN: - INITIALS: PP DATE: -		
	REVISIONS		
	SYM. - DESCRIPTION - DATE - INITIALS -	PART NO. -	PART REV. -
	COMMENTS: -		DESCRIPTION: Standard Closure - 90° Basic Pocket Construction
MATERIAL: - FINISH: - DO NOT SCALE DRAWING	SIZE: A	SCALE: 1:8	WEIGHT: - SHEET 1 OF 1