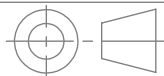


DIMENSIONS ARE IN INCHES
STANDARD TOLERANCES APPLY
UNLESS OTHERWISE INDICATED



DRAWN INITIALS: MS DATE: 2017-08-31

REVISIONS

SYM.	DESCRIPTION	DATE	INITIALS
-	-	-	-

--	--	--	--

--	--	--	--

COMMENTS: -



PART NO. - PART REV. -

DESCRIPTION STANDARD EGRESS DOOR
FRONT VIEW

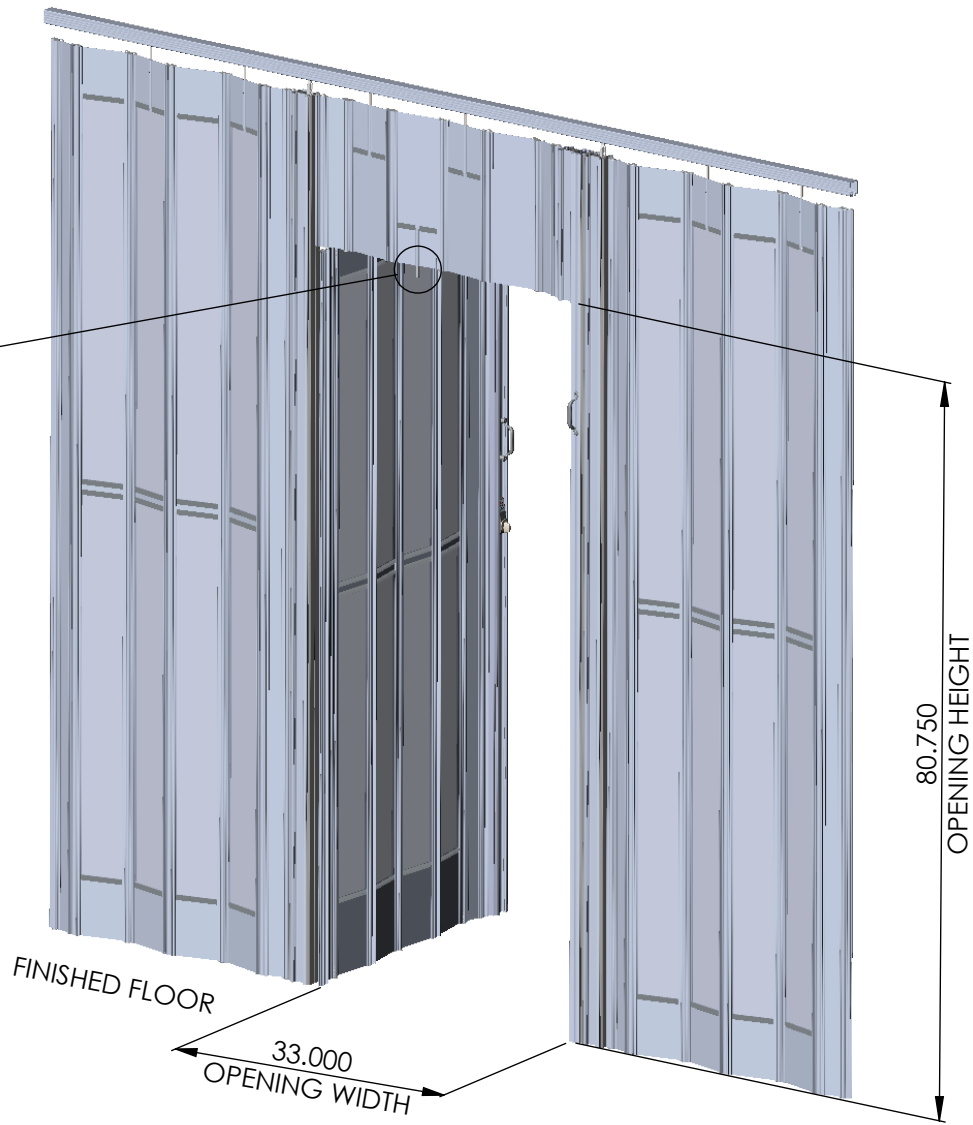
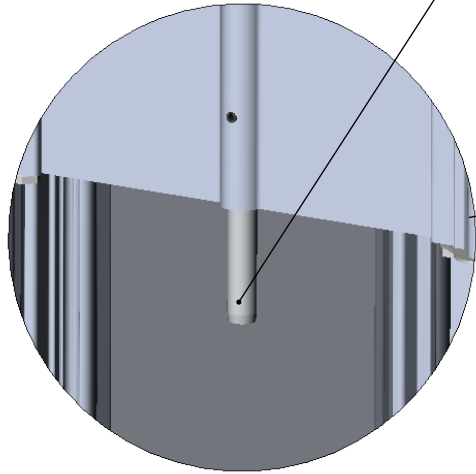
SIZE A

SCALE: 1:20 WEIGHT: SHEET 1 OF 2

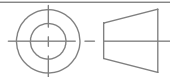
PROPRIETARY AND CONFIDENTIAL
THE INFORMATION CONTAINED IN THIS
DRAWING IS THE SOLE PROPERTY OF
DYNAMIC CLOSURES. ANY
REPRODUCTION IN PART OR AS A WHOLE
WITHOUT THE WRITTEN PERMISSION OF
DYNAMIC CLOSURES IS PROHIBITED.

DO NOT SCALE DRAWING

PIN PROTRUDES INTO OPENING 1.125"



DIMENSIONS ARE IN INCHES
STANDARD TOLERANCES APPLY
UNLESS OTHERWISE INDICATED



DRAWN	INITIALS: MS	DATE: 2017-08-31	
REVISIONS			
SYM.	DESCRIPTION	DATE	INITIALS



PART NO. _____ PART REV. _____

DESCRIPTION **STANDARD EGRESS DOOR
OPENING CLEARANCES**

PROPRIETARY AND CONFIDENTIAL
THE INFORMATION CONTAINED IN THIS
DRAWING IS THE SOLE PROPERTY OF
DYNAMIC CLOSURES. ANY
REPRODUCTION IN PART OR AS A WHOLE
WITHOUT THE WRITTEN PERMISSION OF
DYNAMIC CLOSURES IS PROHIBITED.

MATERIAL _____
FINISH _____
DO NOT SCALE DRAWING

COMMENTS: _____

SIZE **A**
SCALE: 1:20 WEIGHT: _____ SHEET 2 OF 2