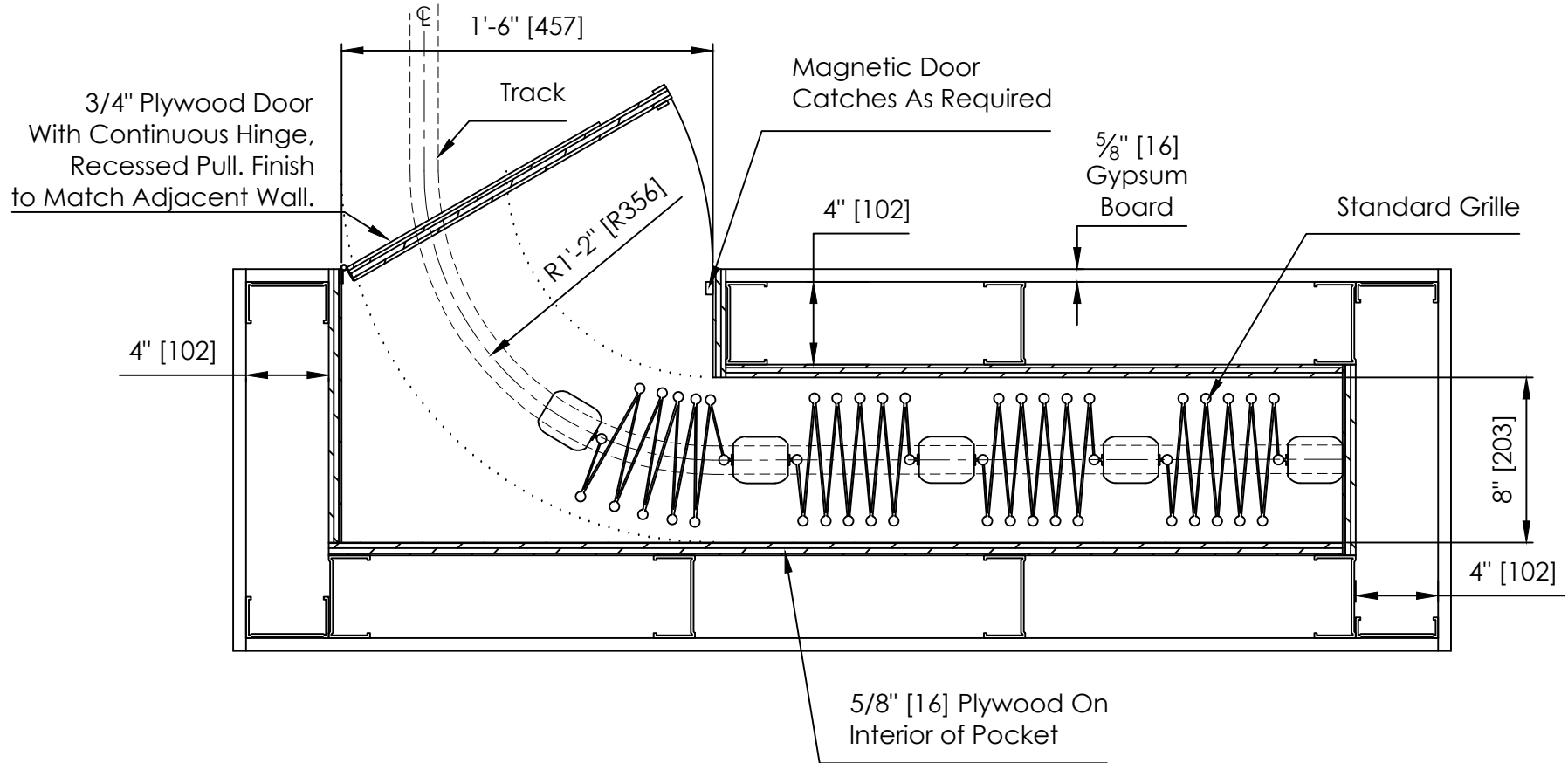


### Basic Pocket Construction



### Estimated Stack Depth

$(\text{Width Inches} \times 10\%) + (\text{Number of Posts} \times 3) = \text{Estimated Stack Depth (In.)}$

### Example

$(240 \text{ in.} \times 0.1) + (3 \times 3) = 33 \text{ inches}$

**PROPRIETARY AND CONFIDENTIAL**  
 THE INFORMATION CONTAINED IN THIS DRAWING IS THE SOLE PROPERTY OF DYNAMIC CLOSURES. ANY REPRODUCTION IN PART OR AS A WHOLE WITHOUT THE WRITTEN PERMISSION OF DYNAMIC CLOSURES IS PROHIBITED.

DIMENSIONS ARE IN INCHES STANDARD TOLERANCES APPLY UNLESS OTHERWISE INDICATED	DRAWN	INITIALS: PP	DATE: -	
	REVISIONS			
	SYM.	DESCRIPTION	DATE	INITIALS
	-	-	-	-
MATERIAL	-			PART NO. -
FINISH	-			PART REV. -
DO NOT SCALE DRAWING	COMMENTS: -			DESCRIPTION Standard Grille - 90° Basic Pocket Construction
	SIZE	A		
	SCALE: 1:8	WEIGHT:		SHEET 1 OF 1