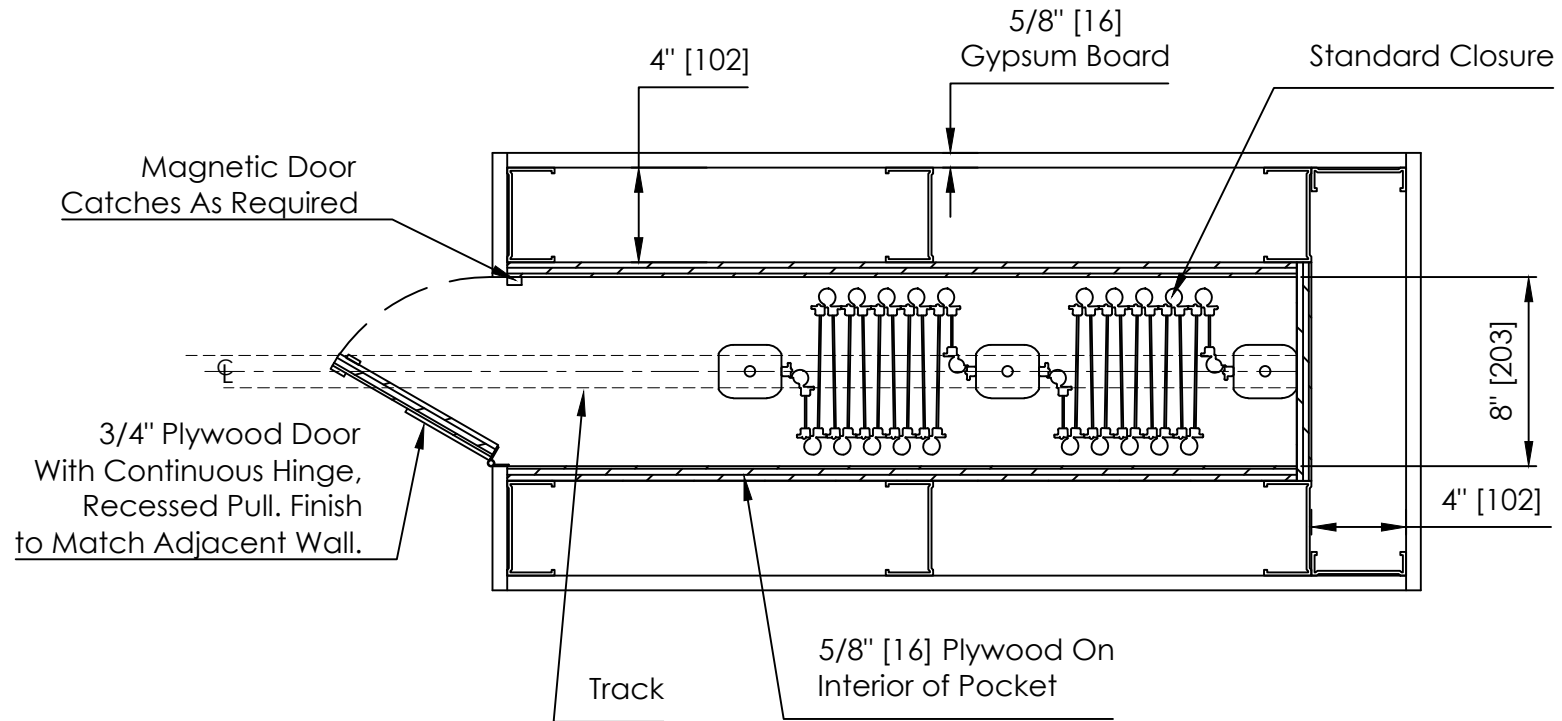


Basic Pocket Construction





Estimated Stack Depth

$(\text{Width Inches} \times 10\%) + (\text{Number of Posts} \times 3) = \text{Estimated Stack Depth (In.)}$

Example

$(240 \text{ in.} \times 0.1) + (3 \times 3) = 33 \text{ inches}$

PROPRIETARY AND CONFIDENTIAL
 THE INFORMATION CONTAINED IN THIS DRAWING IS THE SOLE PROPERTY OF DYNAMIC CLOSURES. ANY REPRODUCTION IN PART OR AS A WHOLE WITHOUT THE WRITTEN PERMISSION OF DYNAMIC CLOSURES IS PROHIBITED.

	DIMENSIONS ARE IN INCHES STANDARD TOLERANCES APPLY UNLESS OTHERWISE INDICATED	DRAWN	INITIALS: PP	DATE: -				
		REVISIONS						
	SYM.	DESCRIPTION	DATE	INITIALS				
	-	-	-	-				
MATERIAL	-	COMMENTS: -			PART NO.	-	PART REV.	-
FINISH	-				DESCRIPTION			Standard Closure Basic Pocket Construction
DO NOT SCALE DRAWING		SCALE: 1:8			WEIGHT:		SHEET 1 OF 1	