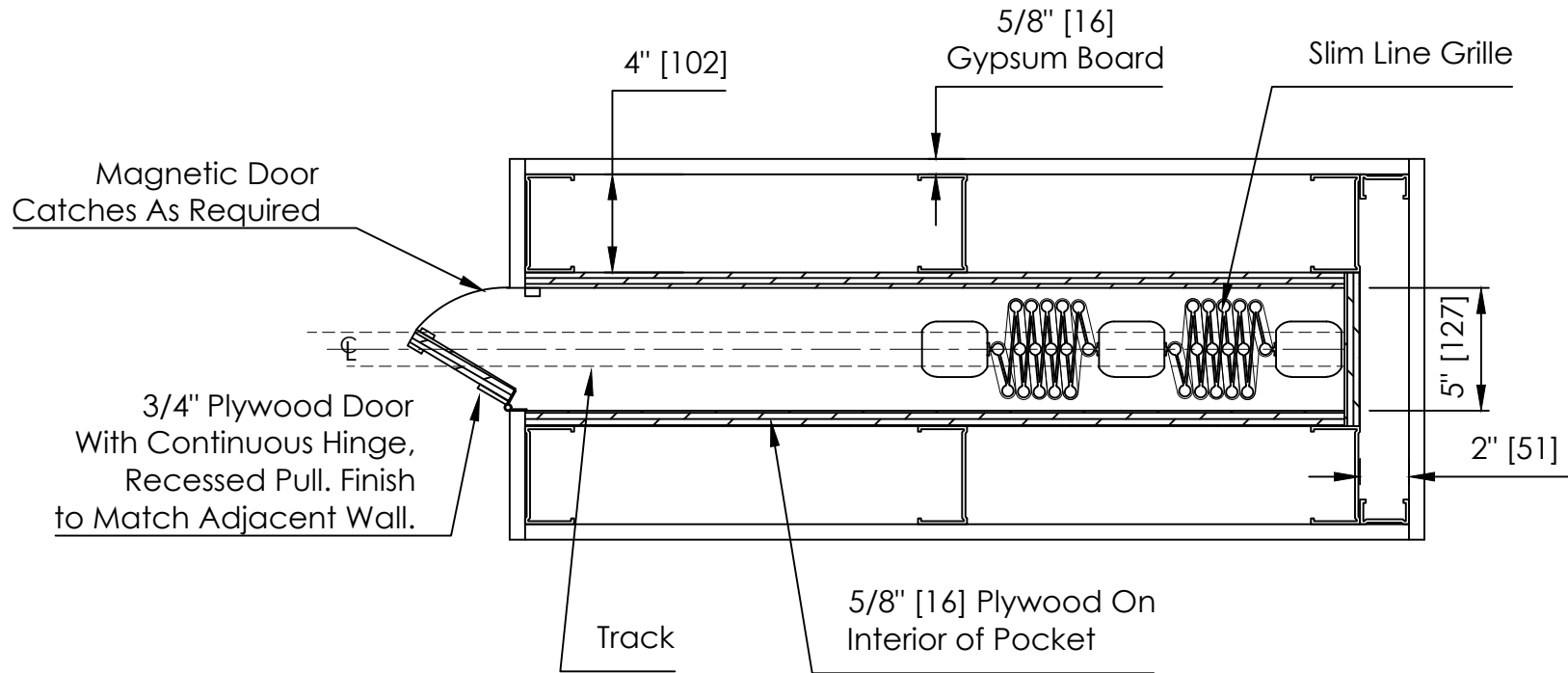


Basic Pocket Construction

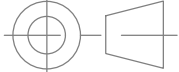



Estimated Stack Depth

(Width Inches x 10%) + (Number of Posts x 3) = Estimated Stack Depth (In.)

Example

(240 in. x 0.1) + (3 x 3) = 33 inches

<p style="font-size: small;">DIMENSIONS ARE IN INCHES STANDARD TOLERANCES APPLY UNLESS OTHERWISE INDICATED</p> 	DRAWN	INITIALS: PP	DATE: -				
	REVISIONS						
	SYM.	DESCRIPTION	DATE		INITIALS	PART NO.	PART REV.
	-	-	-		-	-	-
MATERIAL	COMMENTS: -				DESCRIPTION		
FINISH	DO NOT SCALE DRAWING				Slim Line Grille Basic Pocket Construction		
PROPRIETARY AND CONFIDENTIAL THE INFORMATION CONTAINED IN THIS DRAWING IS THE SOLE PROPERTY OF DYNAMIC CLOSURES. ANY REPRODUCTION IN PART OR AS A WHOLE WITHOUT THE WRITTEN PERMISSION OF DYNAMIC CLOSURES IS PROHIBITED.					SIZE A	SCALE: 1: 8	WEIGHT: