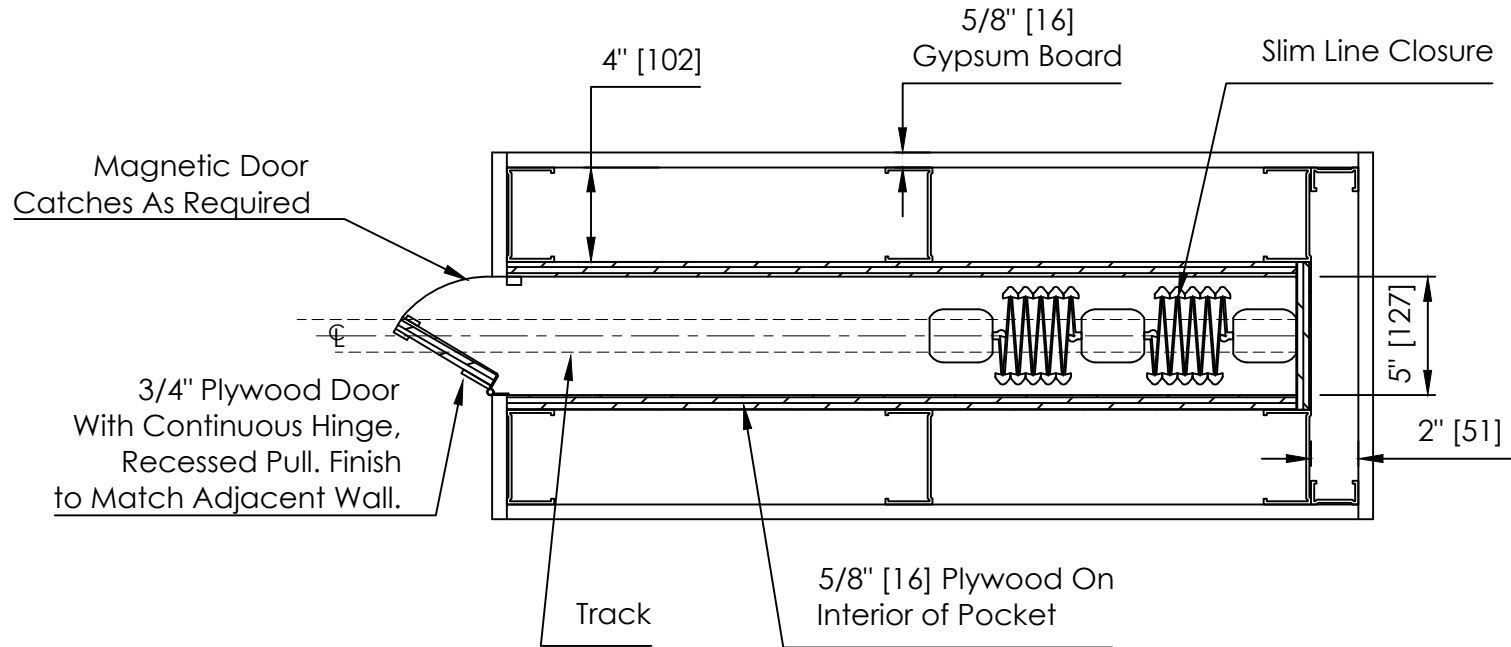


Basic Pocket Construction



Estimated Stack Depth

$(\text{Width Inches} \times 10\%) + (\text{Number of Posts} \times 3) = \text{Estimated Stack Depth (In.)}$

Example

$(240 \text{ in.} \times 0.1) + (3 \times 3) = 33 \text{ inches}$

PROPRIETARY AND CONFIDENTIAL
 THE INFORMATION CONTAINED IN THIS DRAWING IS THE SOLE PROPERTY OF DYNAMIC CLOSURES. ANY REPRODUCTION IN PART OR AS A WHOLE WITHOUT THE WRITTEN PERMISSION OF DYNAMIC CLOSURES IS PROHIBITED.

DIMENSIONS ARE IN INCHES STANDARD TOLERANCES APPLY UNLESS OTHERWISE INDICATED	
MATERIAL	-
FINISH	-
DO NOT SCALE DRAWING	

DRAWN	INITIALS: PP	DATE:	-
REVISIONS			
SYM.	DESCRIPTION	DATE	INITIALS
-	-	-	-
COMMENTS: -			

PART NO.	-
PART REV.	-
DESCRIPTION Slim Line Closure Basic Pocket Construction	
SIZE	A
SCALE: 1:8	WEIGHT:
SHEET 1 OF 1	