



The Answer for Impossible Situations



Roll & Fold's unique free standing design requires no ceiling or floor track and quickly positions in place.

Roll & Fold stores easily in the opening or can be rolled to a convenient remote location.

Engineered for pedestrian traffic control and light security.

Solves application problems such as:

- Decorative or structural obstacles
- High, arched or open ceilings



Anti-Sway Latch for transporting to and from storage.



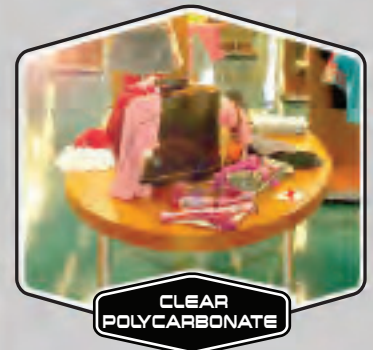
1/4 in. plate steel hinge system.



OPEN AIR



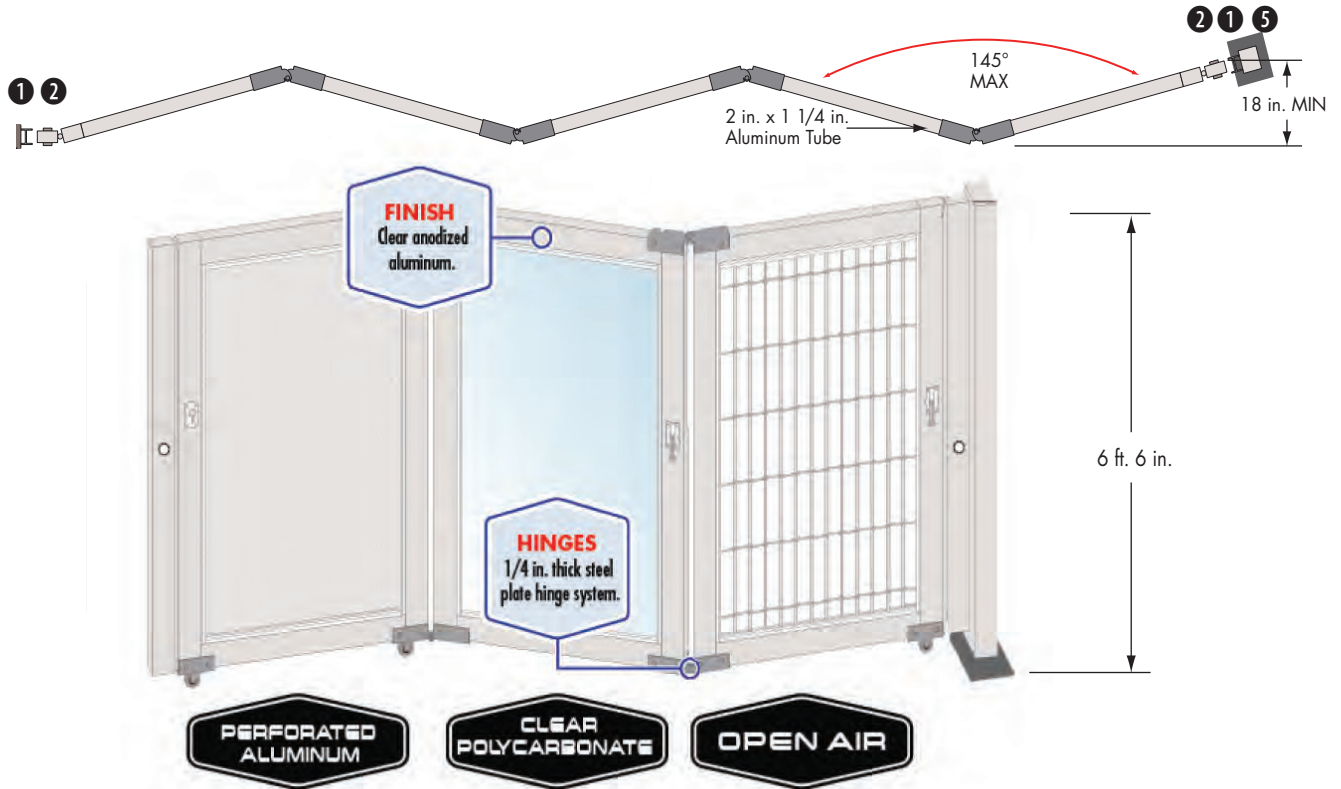
PERFORATED ALUMINUM



CLEAR POLYCARBONATE



STANDARD FEATURES



STORAGE

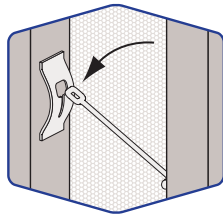
The Roll & Fold stacks smaller than the traditional portable scissors gate. Below is an example of the space savings.

Example: 55 ft. wide opening

Storage Area (width x depth)

Roll & Fold - 42 in. x 32 in. 10.67 sq. ft.

Scissors Gate - 82 in. x 30 in. 17.08 sq.ft.



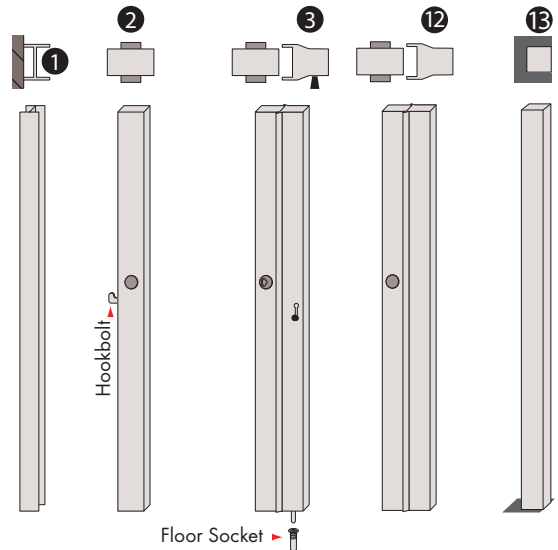
Anti-Sway Latch
Aids in moving Roll & Fold from storage to secured position.

ADVANTAGES

Roll & Fold's advantages over old fashion portable scissor gates are many:

- Smaller storage area.
- Choice of designs, bold and modern or elegant and ornate.
- Optional choice of paint and anodized finishes.
- Best® and other locking cylinders available including Thumb Turns.

POST DETAILS



- 1 Wall Channel**
- 2 Lead Post:** With cylinders interior/exterior activating hookbolt lock engaging wall channel.
- 3 Bi-Part with Dropbolt:** With cylinders interior/exterior
- 12 Bi-Part:** With cylinders interior and/or exterior
- 13 Mounting Tube:** 3 in. x 3 in. x 6 ft. 6 in. steel tube with 5 in. x 7 in. steel floor base.
Paint finish on post to match curtain.

