

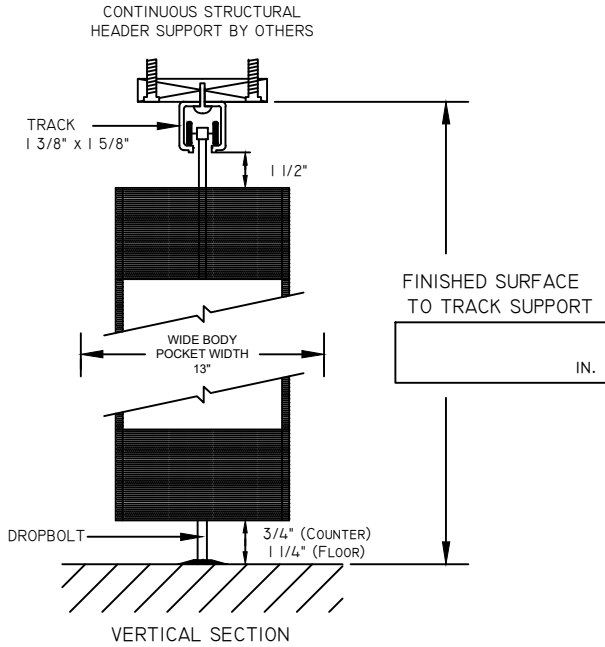


DYNAMIC
CLOSURES

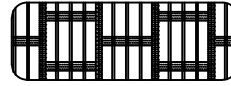
Canada
P.O. Box 1296
Cornwall, ON
K6H 5V4

Tel: 1-800-663-4599
Fax: 1-800-205-6665
E-mail: customerservice@dynamicclosures.com

USA
P.O. Box 627
Massena, NY
13662



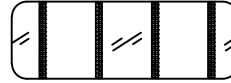
MODEL



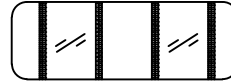
SWB B
Brick Pattern Rod And Link



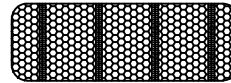
SWB S
Straight Pattern Rod And Link



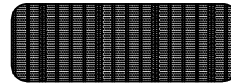
FUTURA WB
Tempered Glass Inserts



PRESTIGE WB
Polycarbonate Inserts



PARAVENT WB
Perforated Steel Inserts



OPAQUE WB
Solid Aluminum Inserts

FINISH



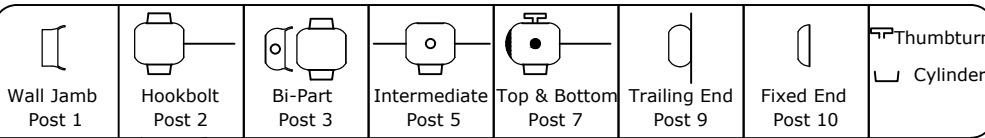
Clear Anodized (standard)



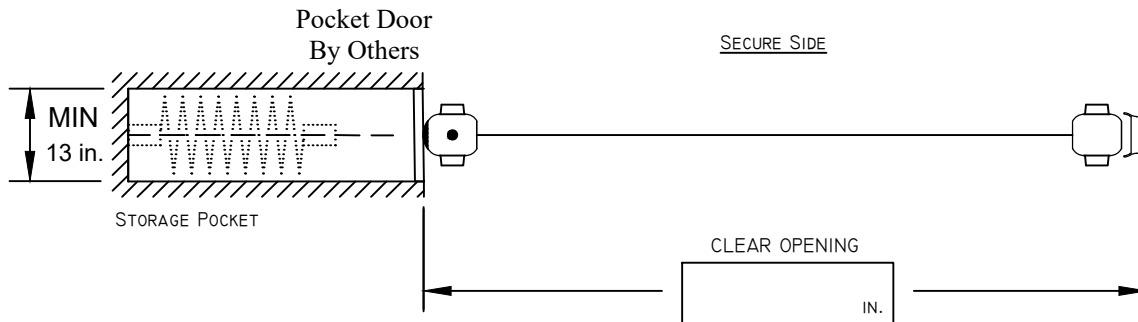
Anodized - Other



Paint



Post Legend



ALL DRAWINGS NOT TO SCALE

Customer Name: _____
Customer Address: _____

Customer Phone: _____
Customer Email: _____

Project Name: _____
Project Address: _____
