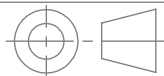


DIMENSIONS ARE IN INCHES
STANDARD TOLERANCES APPLY
UNLESS OTHERWISE INDICATED



MATERIAL	-
FINISH	-
DO NOT SCALE DRAWING	

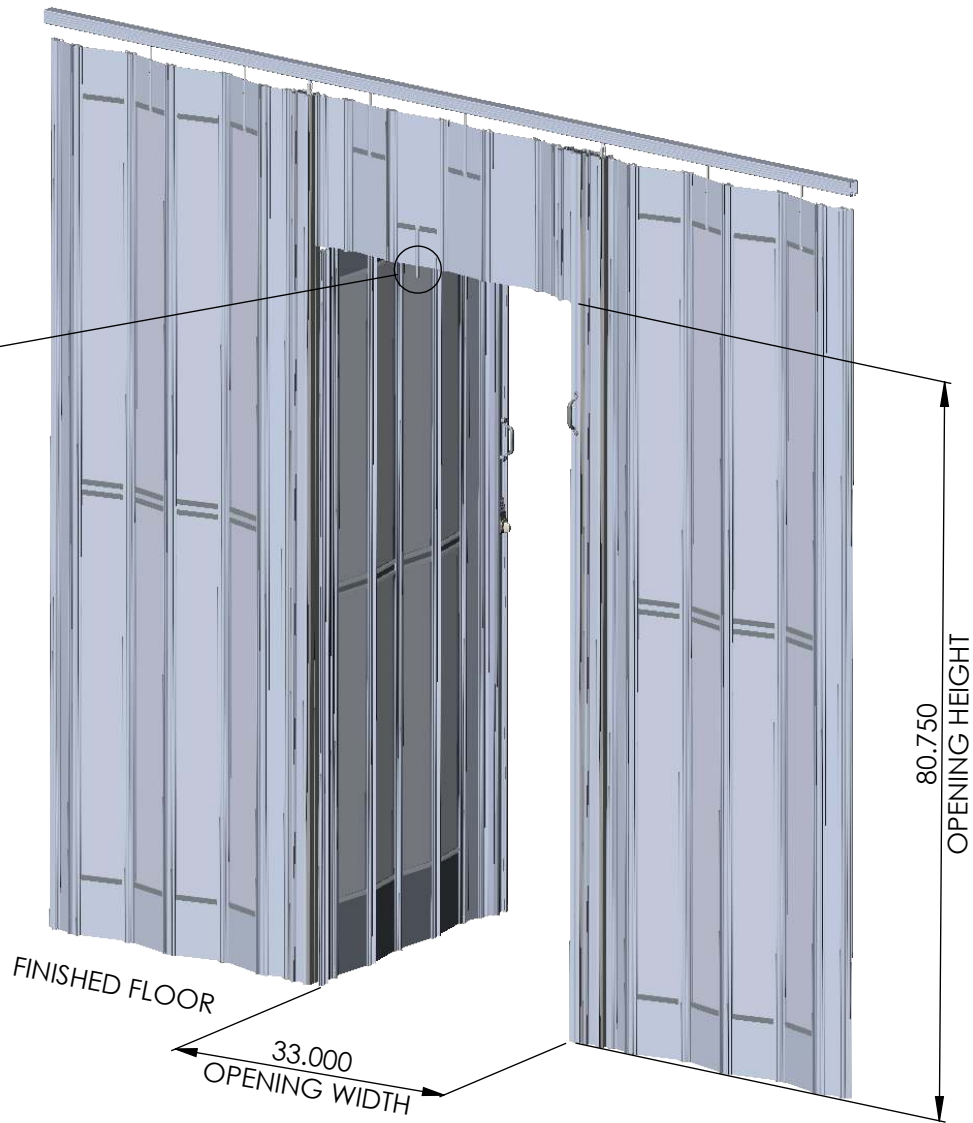
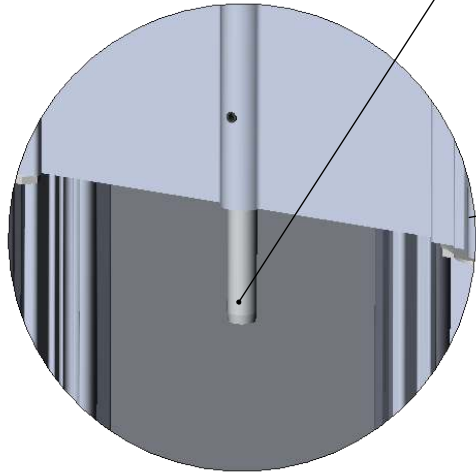
PROPRIETARY AND CONFIDENTIAL
THE INFORMATION CONTAINED IN THIS
DRAWING IS THE SOLE PROPERTY OF
DYNAMIC CLOSURES. ANY
REPRODUCTION IN PART OR AS A WHOLE
WITHOUT THE WRITTEN PERMISSION OF
DYNAMIC CLOSURES IS PROHIBITED.

DRAWN	INITIALS: MS	DATE: 2017-08-31	
REVISIONS			
SYM.	DESCRIPTION	DATE	INITIALS
-	-	-	-
COMMENTS: -			

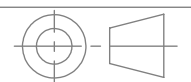


PART NO.	-	PART REV.	-
DESCRIPTION STANDARD EGRESS DOOR FRONT VIEW			
SIZE	A		
SCALE: 1:20	WEIGHT:	SHEET 1 OF 2	

PIN PROTRUDES INTO OPENING 1.125"



DIMENSIONS ARE IN INCHES
STANDARD TOLERANCES APPLY
UNLESS OTHERWISE INDICATED



PROPRIETARY AND CONFIDENTIAL
THE INFORMATION CONTAINED IN THIS
DRAWING IS THE SOLE PROPERTY OF
DYNAMIC CLOSURES. ANY
REPRODUCTION IN PART OR AS A WHOLE
WITHOUT THE WRITTEN PERMISSION OF
DYNAMIC CLOSURES IS PROHIBITED.

MATERIAL
FINISH
DO NOT SCALE DRAWING

DRAWN	INITIALS: MS	DATE: 2017-08-31
REVISIONS		
SYM.	DESCRIPTION	DATE
COMMENTS:		


DYNAMIC[®]

PART NO.	PART REV.
DESCRIPTION STANDARD EGRESS DOOR OPENING CLEARANCES	
SIZE A	
SCALE: 1:20	WEIGHT: SHEET 2 OF 2