

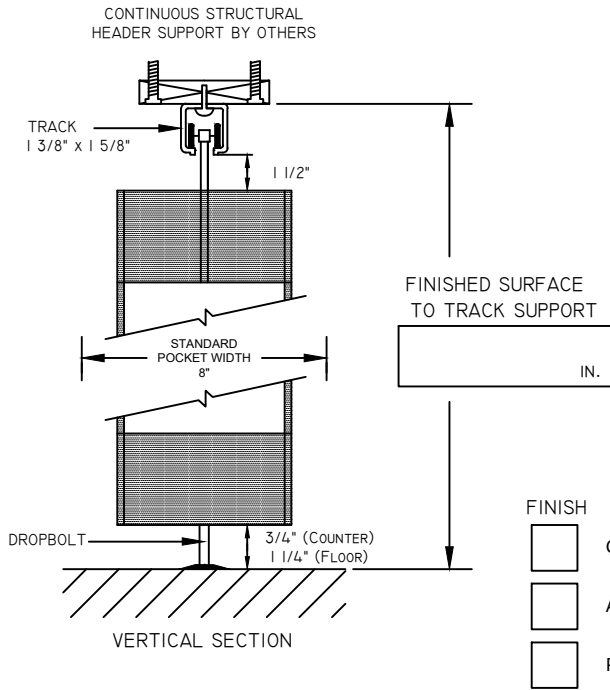


DYNAMIC
CLOSURES

Canada
P.O. Box 1296
Cornwall, ON
K6H 5V4

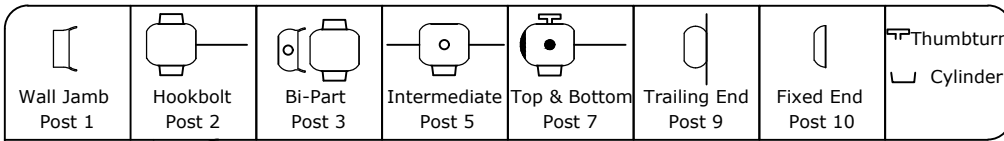
Tel: 1-800-663-4599
Fax: 1-800-205-6665
E-mail: customerservice@dynamicclosures.com

USA
P.O. Box 627
Massena, NY
13662

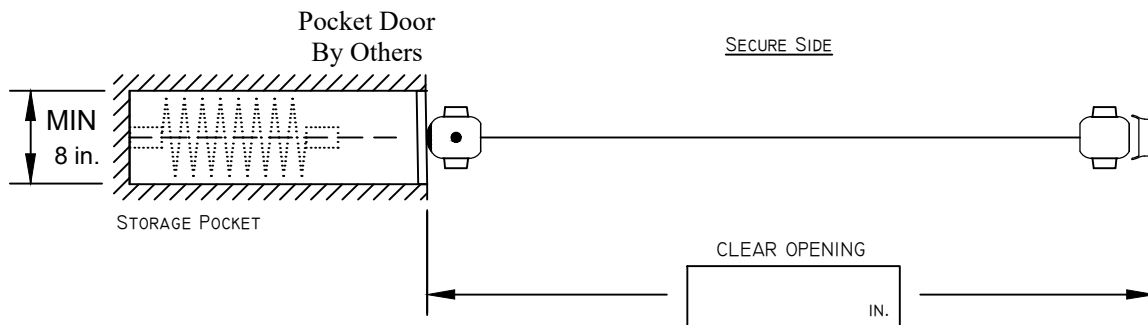


| MODEL | Pattern | Model Name | Description |
|--------------------------|---------|-------------|--------------------------|
| <input type="checkbox"/> | | EL 126B | Brick Pattern |
| <input type="checkbox"/> | | EL 126S | Straight Pattern |
| <input type="checkbox"/> | | EL PRESTIGE | Polycarbonate Inserts |
| <input type="checkbox"/> | | EL PARAVENT | Perforated Steel Inserts |
| <input type="checkbox"/> | | EL OPAQUE | Solid Aluminum Inserts |
| <input type="checkbox"/> | | EL AG | |
| <input type="checkbox"/> | | EL 12 | |
| <input type="checkbox"/> | | EL 525 | |

| FINISH | Finish Name |
|--------------------------|---------------------------|
| <input type="checkbox"/> | Clear Anodized (standard) |
| <input type="checkbox"/> | Anodized - Other |
| <input type="checkbox"/> | Powder Coat |



Post Legend



ALL DRAWINGS NOT TO SCALE

Customer Name: _____

Customer Address: _____

Customer Phone: _____

Customer Email: _____

Project Name: _____

Project Address: _____
