

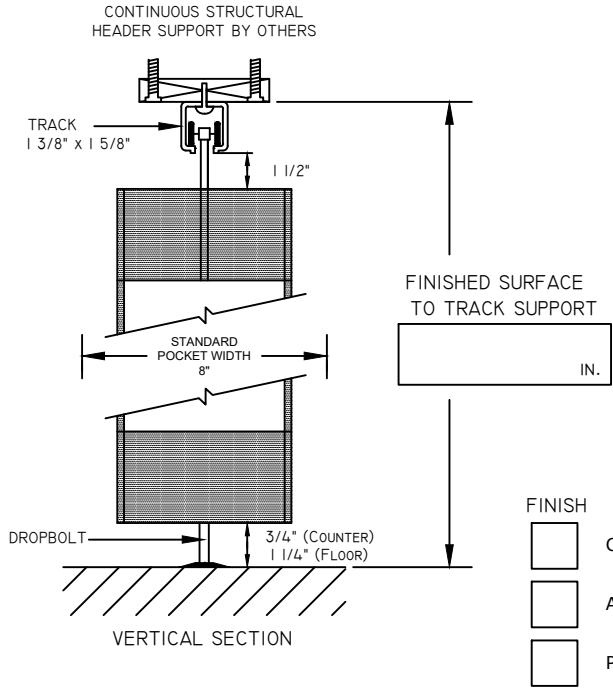


DYNAMIC
CLOSURES

Canada
P.O. Box 1296
Cornwall, ON
K6H 5V4

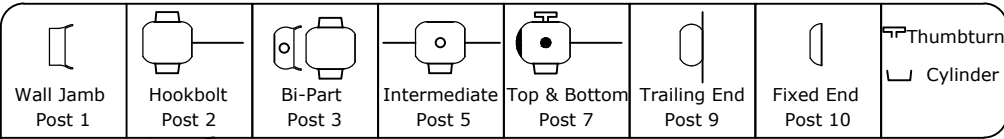
Tel: 1-800-663-4599
Fax: 1-800-205-6665
E-mail: customerservice@dynamicclosures.com

USA
P.O. Box 627
Massena, NY
13662

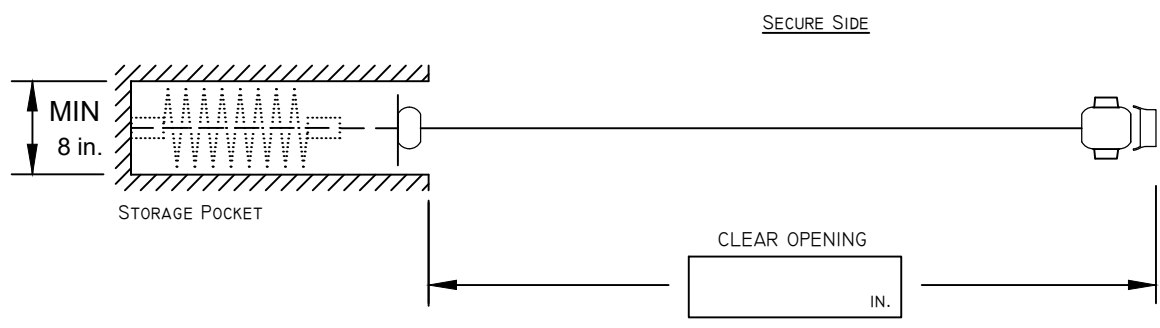


MODEL	Pattern	Model Name	Material
<input type="checkbox"/>		EL 126B	Brick Pattern
<input type="checkbox"/>		EL 126S	Straight Pattern
<input type="checkbox"/>		EL PRESTIGE	Polycarbonate Inserts
<input type="checkbox"/>		EL PARAVENT	Perforated Steel Inserts
<input type="checkbox"/>		EL OPAQUE	Solid Aluminum Inserts
<input type="checkbox"/>		EL AG	
<input type="checkbox"/>		EL 12	
<input type="checkbox"/>		EL 525	

FINISH	Color
<input type="checkbox"/>	Clear Anodized (standard)
<input type="checkbox"/>	Anodized - Other
<input type="checkbox"/>	Powder Coat



Post Legend



ALL DRAWINGS NOT TO SCALE

Customer Name: _____
Customer Address: _____

Customer Phone: _____
Customer Email: _____

Project Name: _____
Project Address: _____
