

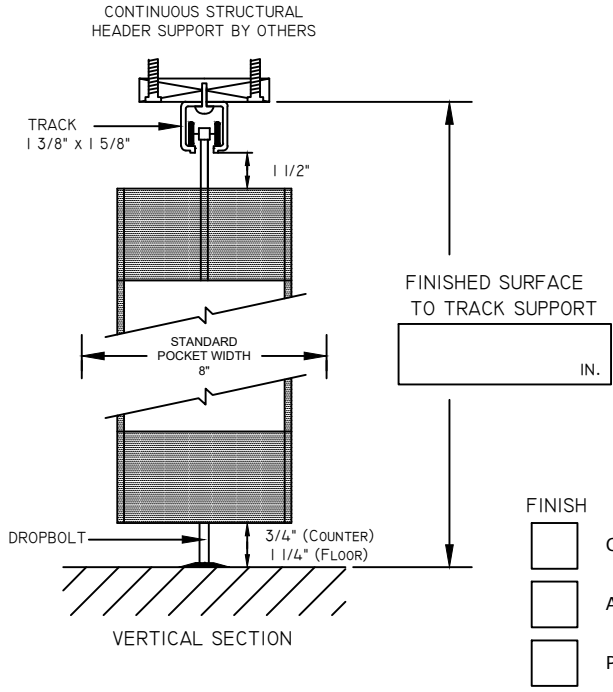


**DYNAMIC**  
**CLOSURES**

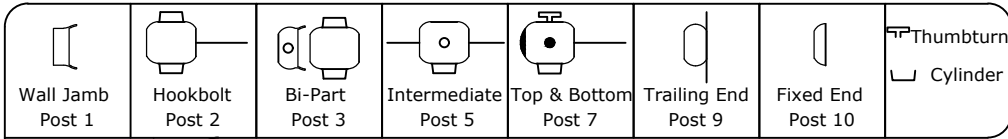
Canada  
P.O. Box 1296  
Cornwall, ON  
K6H 5V4

Tel: 1-800-663-4599  
Fax: 1-800-205-6665  
E-mail: customerservice@dynamicclosures.com

USA  
P.O. Box 627  
Massena, NY  
13662



- MODEL
- EL 126B  
Brick Pattern
  - EL 126S  
Straight Pattern
  - EL PRESTIGE  
Polycarbonate Inserts
  - EL PARAVENT  
Perforated Steel Inserts
  - EL OPAQUE  
Solid Aluminum Inserts
  - EL AG
  - EL 12
  - EL 525

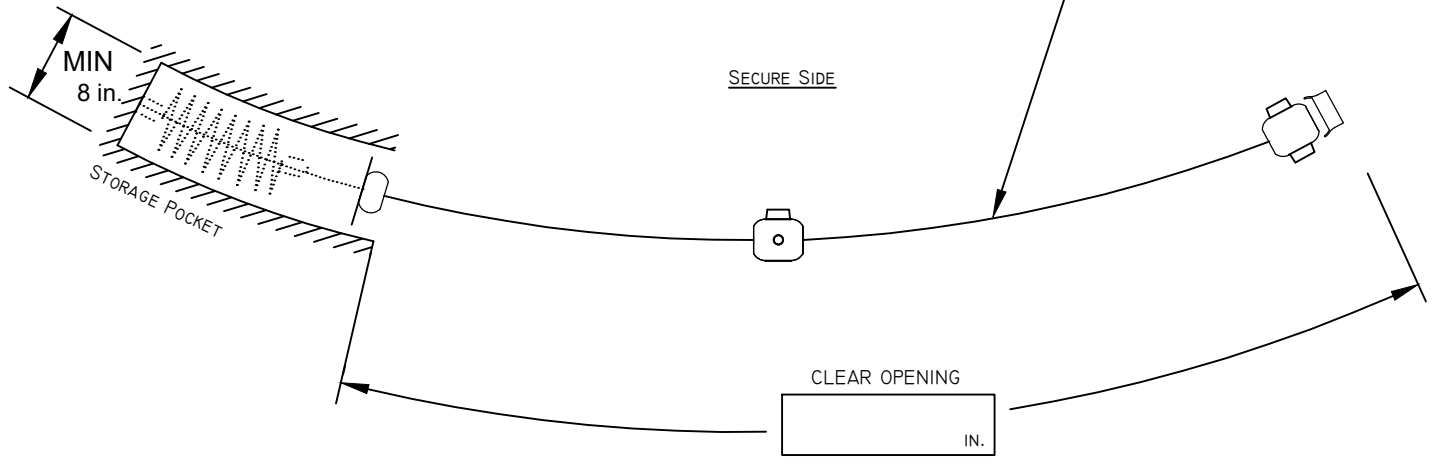


**Post Legend**

**CUSTOM CURVE**

LENGTH:  IN.

RAD.:  IN.



ALL DRAWINGS NOT TO SCALE

Customer Name: \_\_\_\_\_

Customer Address: \_\_\_\_\_

\_\_\_\_\_

Customer Phone: \_\_\_\_\_

Customer Email: \_\_\_\_\_

\_\_\_\_\_

Project Name: \_\_\_\_\_

Project Address: \_\_\_\_\_

\_\_\_\_\_