

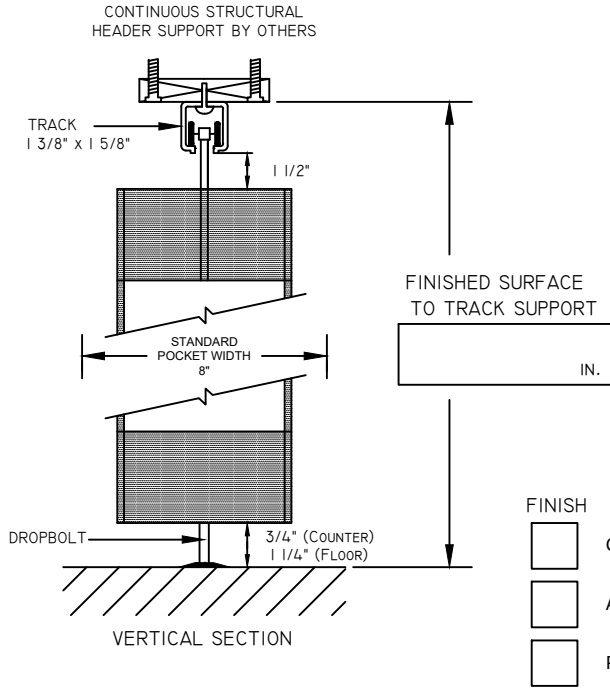


DYNAMIC
CLOSURES

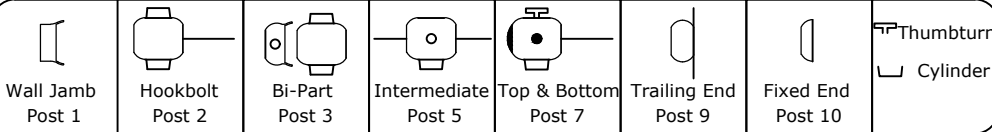
Canada
P.O. Box 1296
Cornwall, ON
K6H 5V4

Tel: 1-800-663-4599
Fax: 1-800-205-6665
E-mail: customerservice@dynamicclosures.com

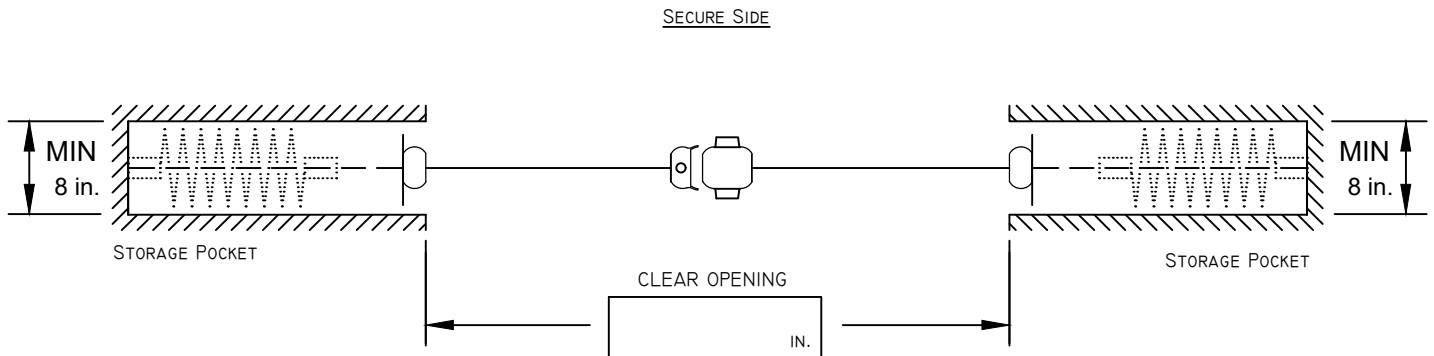
USA
P.O. Box 627
Massena, NY
13662



MODEL		
<input type="checkbox"/>		EL 126B Brick Pattern
<input type="checkbox"/>		EL 126S Straight Pattern
<input type="checkbox"/>		EL PRESTIGE Polycarbonate Inserts
<input type="checkbox"/>		EL PARAVENT Perforated Steel Inserts
<input type="checkbox"/>		EL OPAQUE Solid Aluminum Inserts
<input type="checkbox"/>		EL AG
<input type="checkbox"/>		EL 12
<input type="checkbox"/>		EL 525



Post Legend



ALL DRAWINGS NOT TO SCALE

Customer Name: _____

Customer Address: _____

Customer Phone: _____

Customer Email: _____

Project Name: _____

Project Address: _____
