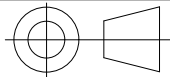


COMMENTS:

DIMENSIONS ARE IN INCHES
STANDARD TOLERANCES APPLY
UNLESS OTHERWISE INDICATED

PROPRIETARY AND CONFIDENTIAL
THE INFORMATION CONTAINED IN THIS
DRAWING IS THE SOLE PROPERTY OF
DYNAMIC CLOSURES. ANY
REPRODUCTION IN PART OR AS A WHOLE
WITHOUT THE WRITTEN PERMISSION OF
DYNAMIC CLOSURES IS PROHIBITED.



MATERIAL

FINISH

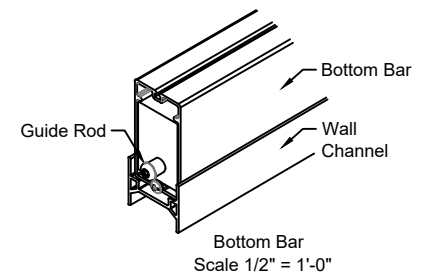
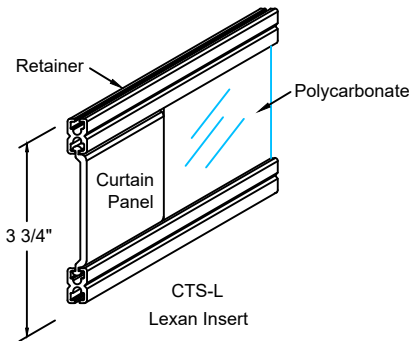
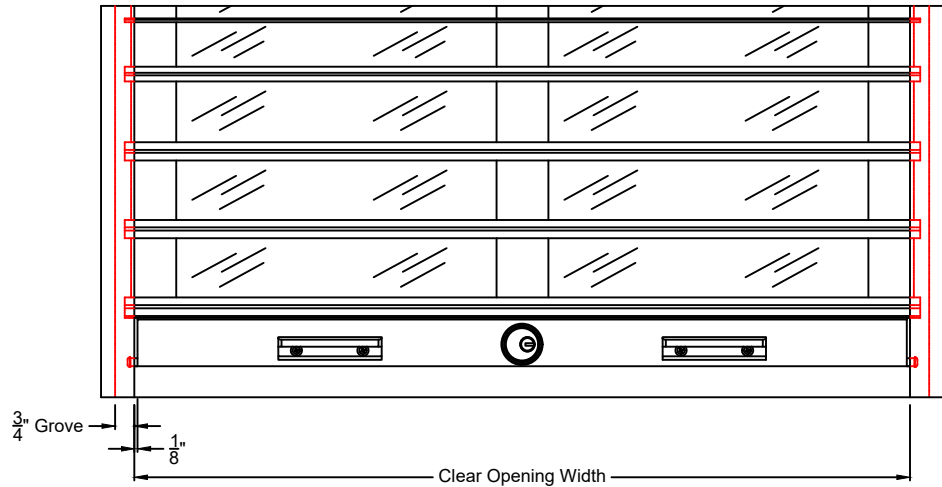
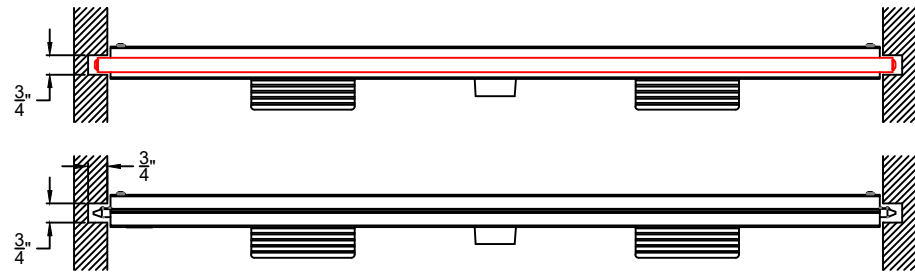
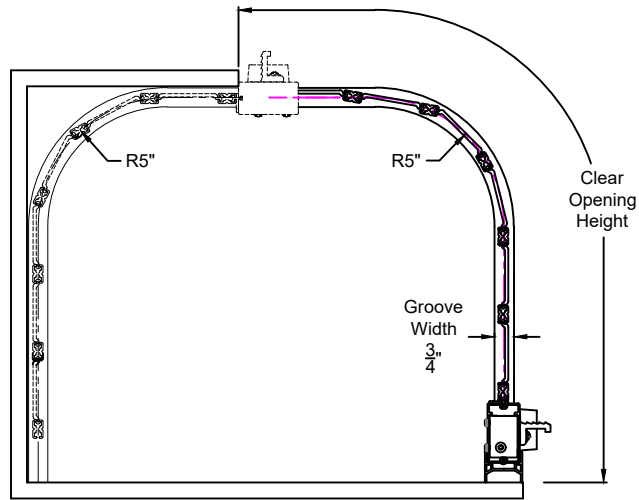
DRAWN	INITIALS:	DATE:	
REVISIONS			
SYM.	DESCRIPTION	DATE	INITIALS



PART NO. _____ PART REV. _____

DESCRIPTION **CTS-L - Lock Rods**

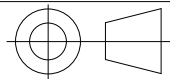
SCALE: 1:1 WEIGHT: _____ SHEET 1 OF 1



COMMENTS:

DIMENSIONS ARE IN INCHES
STANDARD TOLERANCES APPLY
UNLESS OTHERWISE INDICATED

PROPRIETARY AND CONFIDENTIAL
THE INFORMATION CONTAINED IN THIS
DRAWING IS THE SOLE PROPERTY OF
DYNAMIC CLOSURES. ANY
REPRODUCTION IN PART OR AS A WHOLE
WITHOUT THE WRITTEN PERMISSION OF
DYNAMIC CLOSURES IS PROHIBITED.



MATERIAL

FINISH

DRAWN INITIALS: DATE:

REVISIONS

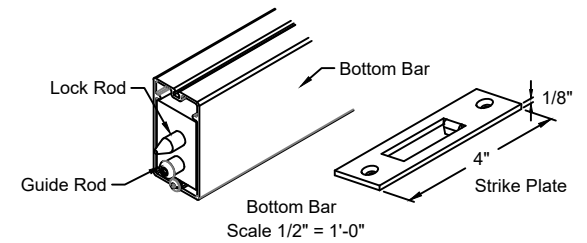
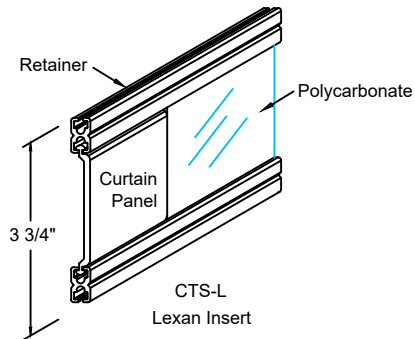
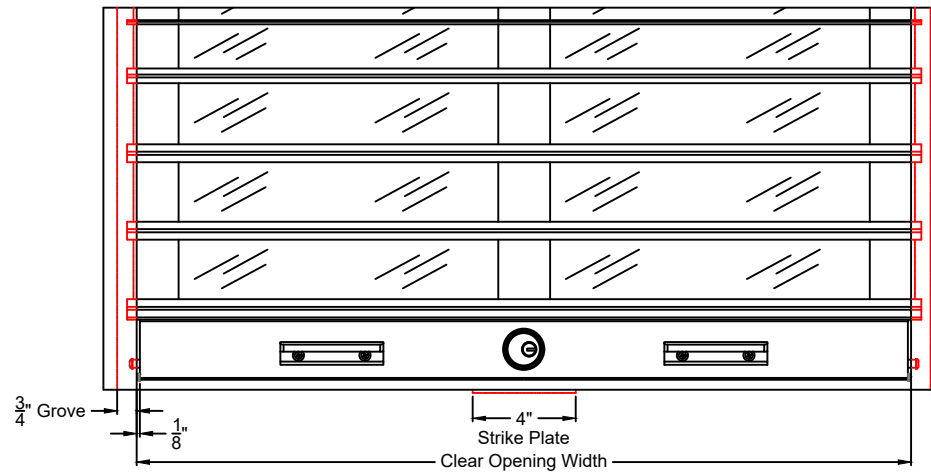
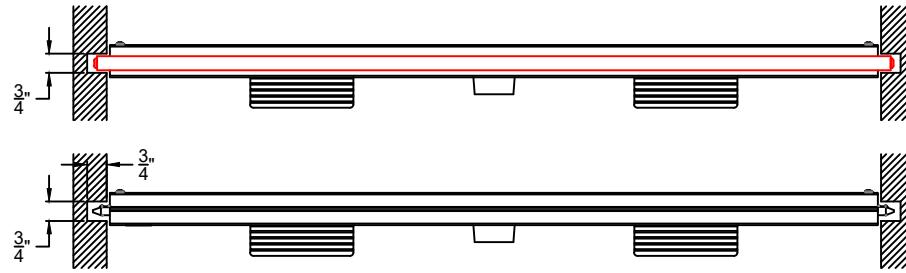
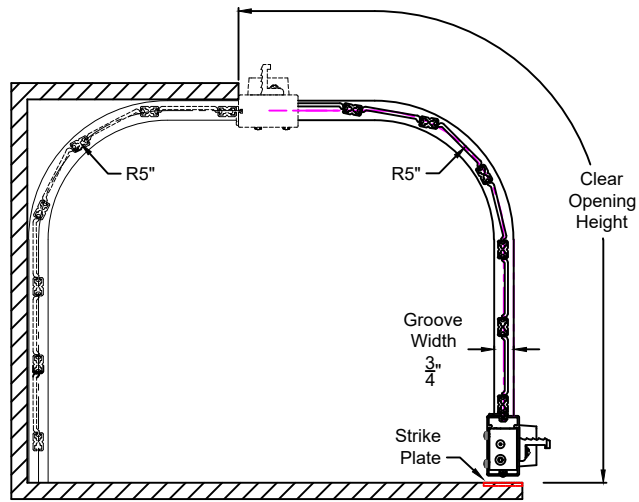
SYM.	DESCRIPTION	DATE	INITIALS



PART NO. PART REV.

DESCRIPTION CTS-L - Wall Channel

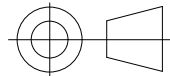
SCALE: 1:1 WEIGHT: SHEET 1 OF 1



COMMENTS:

DIMENSIONS ARE IN INCHES
STANDARD TOLERANCES APPLY
UNLESS OTHERWISE INDICATED

PROPRIETARY AND CONFIDENTIAL
THE INFORMATION CONTAINED IN THIS
DRAWING IS THE SOLE PROPERTY OF
DYNAMIC CLOSURES. ANY
REPRODUCTION IN PART OR AS A WHOLE
WITHOUT THE WRITTEN PERMISSION OF
DYNAMIC CLOSURES IS PROHIBITED.



MATERIAL

FINISH

DRAWN INITIALS: DATE:

REVISIONS

SYM.	DESCRIPTION	DATE	INITIALS



PART NO. PART REV.

DESCRIPTION CTS-L - Strike Plate

SCALE: 1:1

WEIGHT:

SHEET 1 OF 1