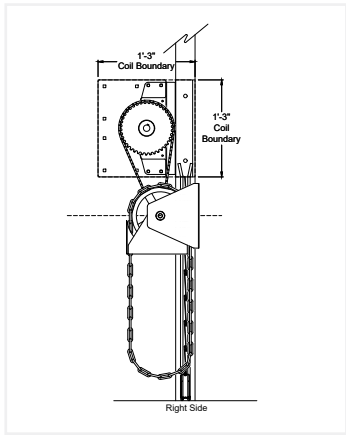
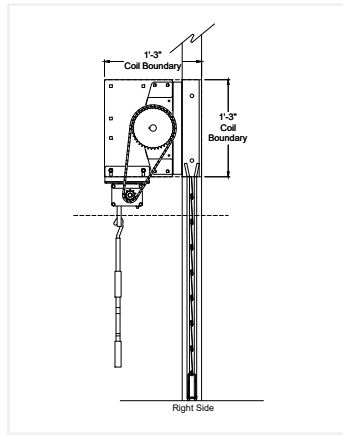


Manual Operator



Chain Hoist

Manually operated chain hoist. Wall Mounted. complete with hand chain, chain keeper, sprocket, and #41 chain.

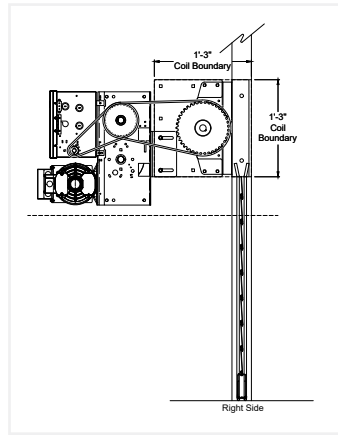


Hand Crank

Manually Operated Hand Crank

- Reduction 10:1
- Includes Sprockets and #41 chain
- Crank Handle and catch

Electric Operator

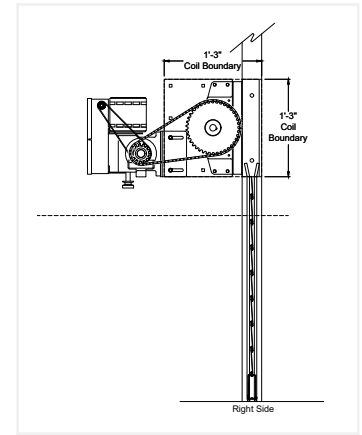


Electric Operator

JackShaft Industrial Duty

Continuous Duty with High-Starting Torque

- UL 325 Complaint
- Door Lock Sensor
- Manual Disconnect



Electric Operator

Worm Gear Jackshaft

Commercial Limited Duty with High-Starting Torque

- UL 325 Complaint
- Door Lock Sensor
- Manual Disconnect

Operator Controls & Accessories

Wireless Keypad

- Can be programmed with temporary access codes for visitors

Key Control Station

- Indoor flush mount
- NEMA 1 with stop button
- Standard mortise or SFIC cylinder

Remote Control

- Single-button
- Ideal for large number of remotes

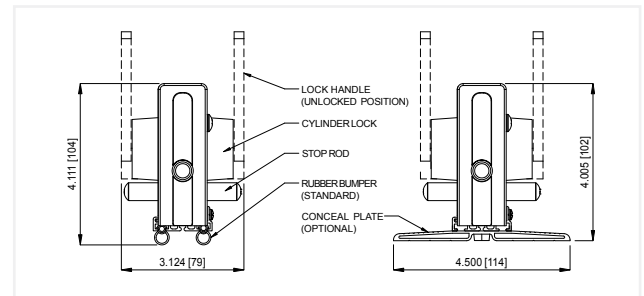
Red/Green Traffic Light

- Indicates open position
- Notifies safe entering or exiting

Safety Edge

- Pressure Sensitive (monitory on non-monitored)
- Touch activated
- Hard-wired or wireless

Bottom Bar



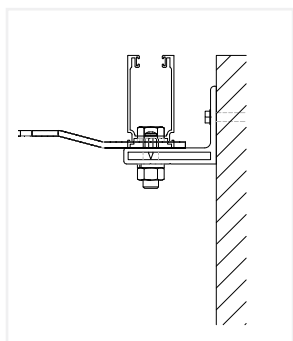
Standard

- ✓ Shoot Bolt Locking Operation - Both Sides
- ✓ Dual Bulb Seal

With Ceiling Conceal

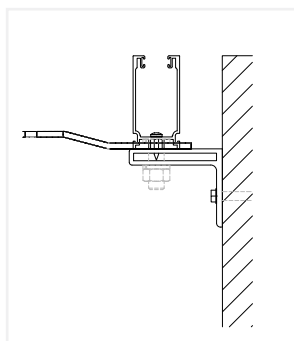
- ✓ 4-1/2" [114] Aluminum Cover Plate

Mounting Type



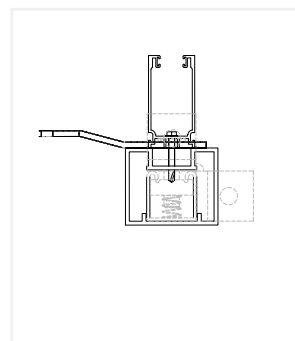
Face of Wall E

Typically used with steel jambs.



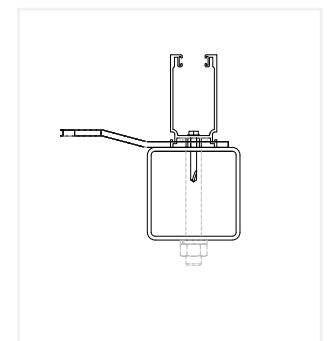
Face of Wall Z

Typically used with masonry jambs.



Lift Ready Telescoping Tubes

Typically used when no wall support is available and headroom is limited



3x3 Steel Mounting Tubes

Typically used when no wall support is available and headroom is plentiful.