

### Product Data

Description	Polycarbonate Panels
Max Height	150 (3810)
Max Width	288 (7315)
Panel Height	3 (76)
Curtain Weight	1.1 lb/ft <sup>2</sup> [5 kg/m <sup>2</sup> ]
Header Plate	15" (381)

### Color Options

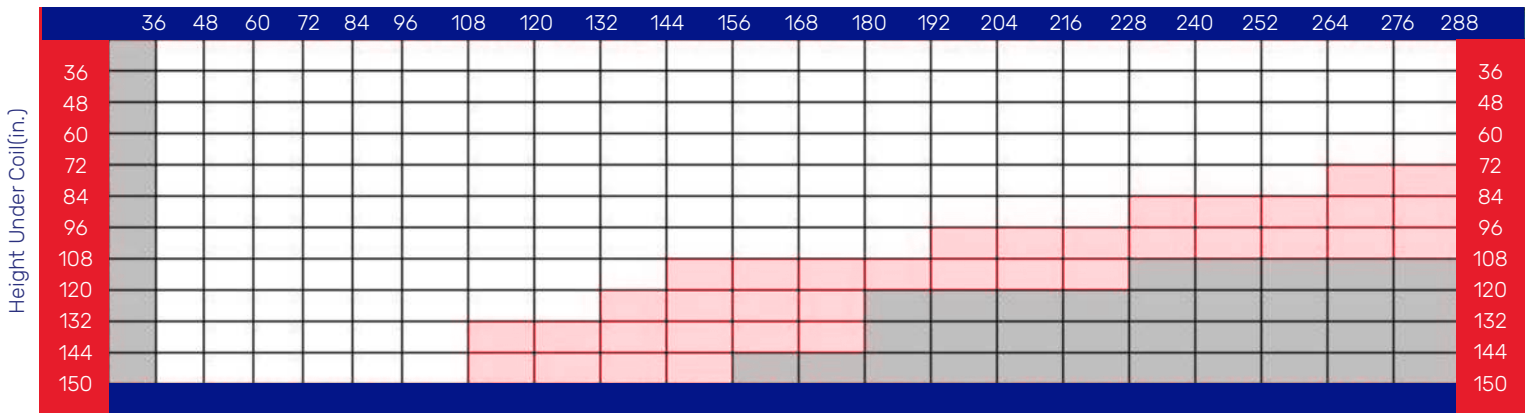
- Anodized finishes come in black, bronze, light bronze, and champagne.



### Sizing Options

#### Lift Ready Pristine

Width Between Guide (in.)



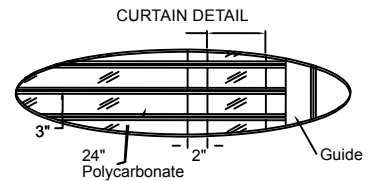
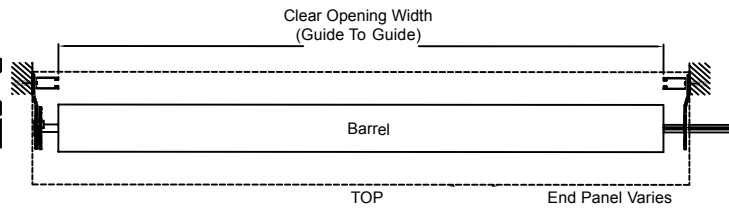
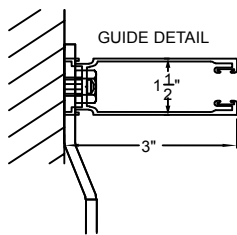
Operator Not Required



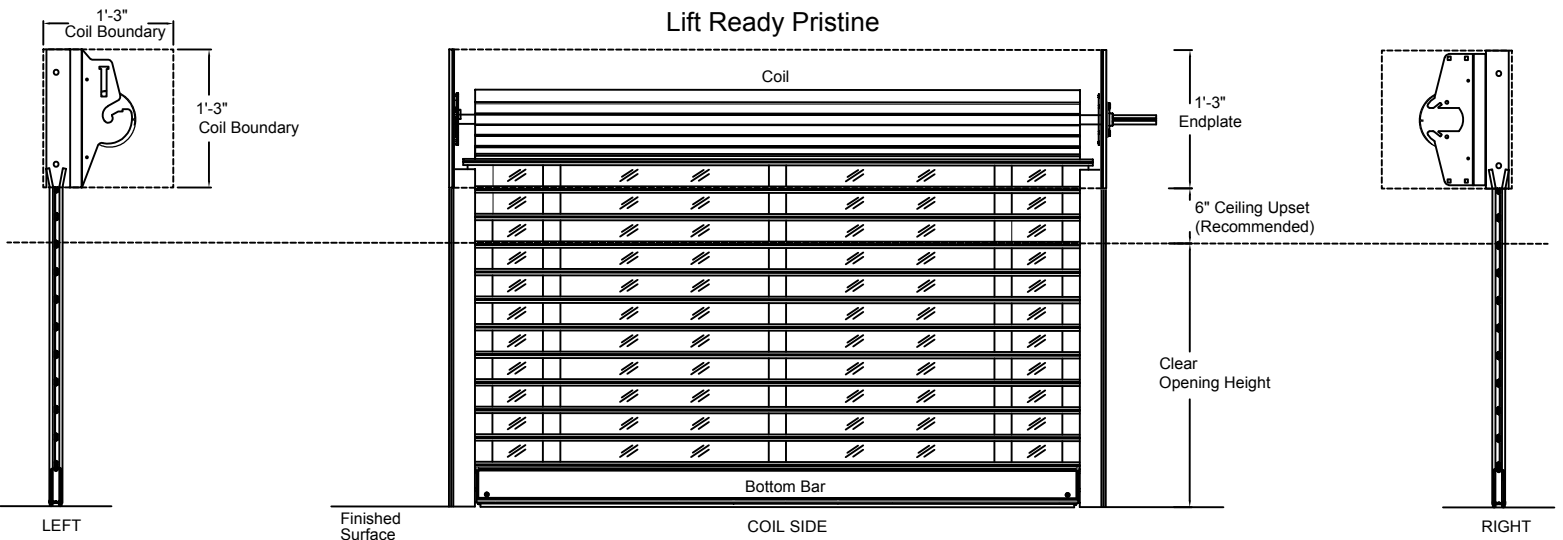
Operator Required



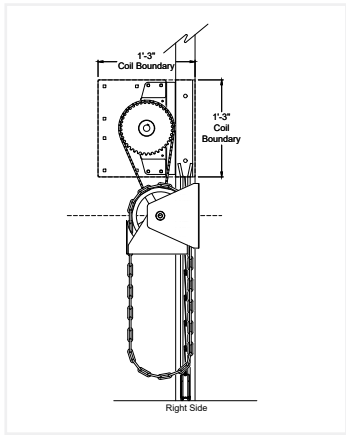
Not Available



#### Lift Ready Pristine

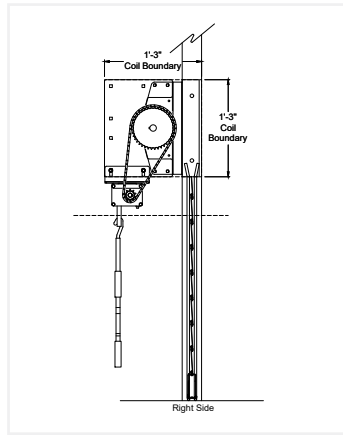


## Manual Operator



### Chain Hoist

Manually operated chain hoist. Wall Mounted. complete with hand chain, chain keeper, sprocket, and #41 chain.

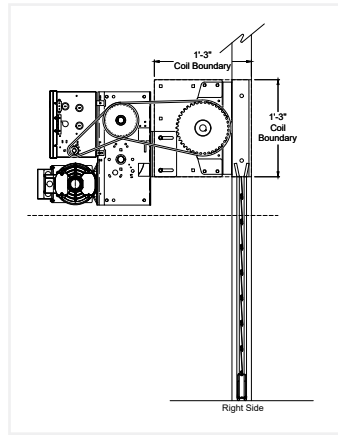


### Hand Crank

Manually Operated Hand Crank

- Reduction 10:1
- Includes Sprockets and #41 chain
- Crank Handle and catch

## Electric Operator

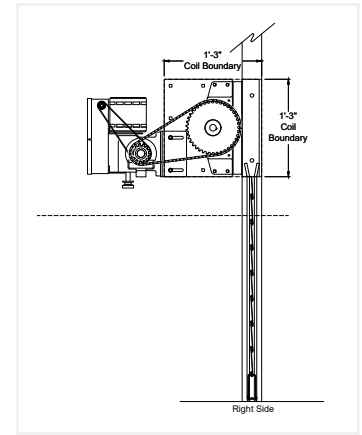


### Electric Operator

JackShaft Industrial Duty

Continuous Duty with High-Starting Torque

- UL 325 Complaint
- Door Lock Sensor
- Manual Disconnect



### Electric Operator

Worm Gear Jackshaft

Commercial Limited Duty with High-Starting Torque

- UL 325 Complaint
- Door Lock Sensor
- Manual Disconnect

## Operator Controls & Accessories

### Liftmaster Internet Gateway

- Remote operator, liftmaster only
- Mobile connection or computer

### Wireless Keypad

- Can be programmed with temporary access codes for visitors

### Key Control Station

- Indoor flush mount
- NEMA 1 with stop button
- Standard mortise or SFIC cylinder

### Remote Control

- Single-button
- Ideal for large number of remotes

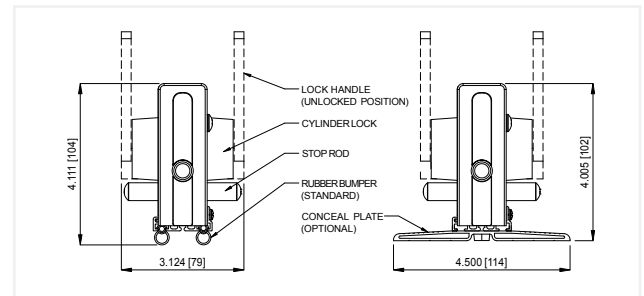
### Red/Green Traffic Light

- Indicates open position
- Notifies safe entering or exiting

### Safety Edge

- Pressure Sensitive (monitory on non-monitored)
- Touch activated
- Hard-wired or wireless

## Bottom Bar



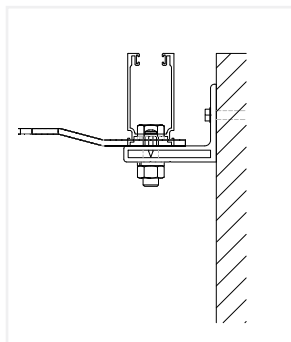
### Standard

- ✓ Shoot Bolt Locking Operation - Both Sides
- ✓ Dual Bulb Seal

### With Ceiling Conceal

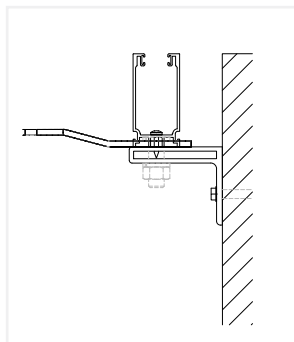
- ✓ 4-1/2" [114] Aluminum Cover Plate

## Mounting Type



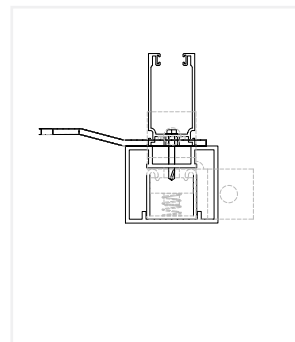
### Face of Wall E

Typically used with steel jambs.



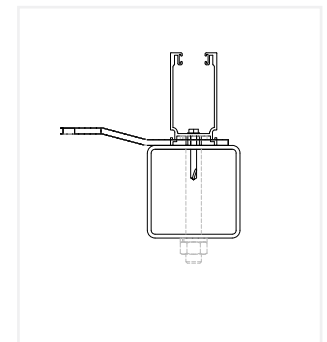
### Face of Wall Z

Typically used with masonry jambs.



### Lift Ready Telescoping Tubes

Typically used when no wall support is available and headroom is limited



### 3x3 Steel Mounting Tubes

Typically used when no wall support is available and headroom is plentiful.