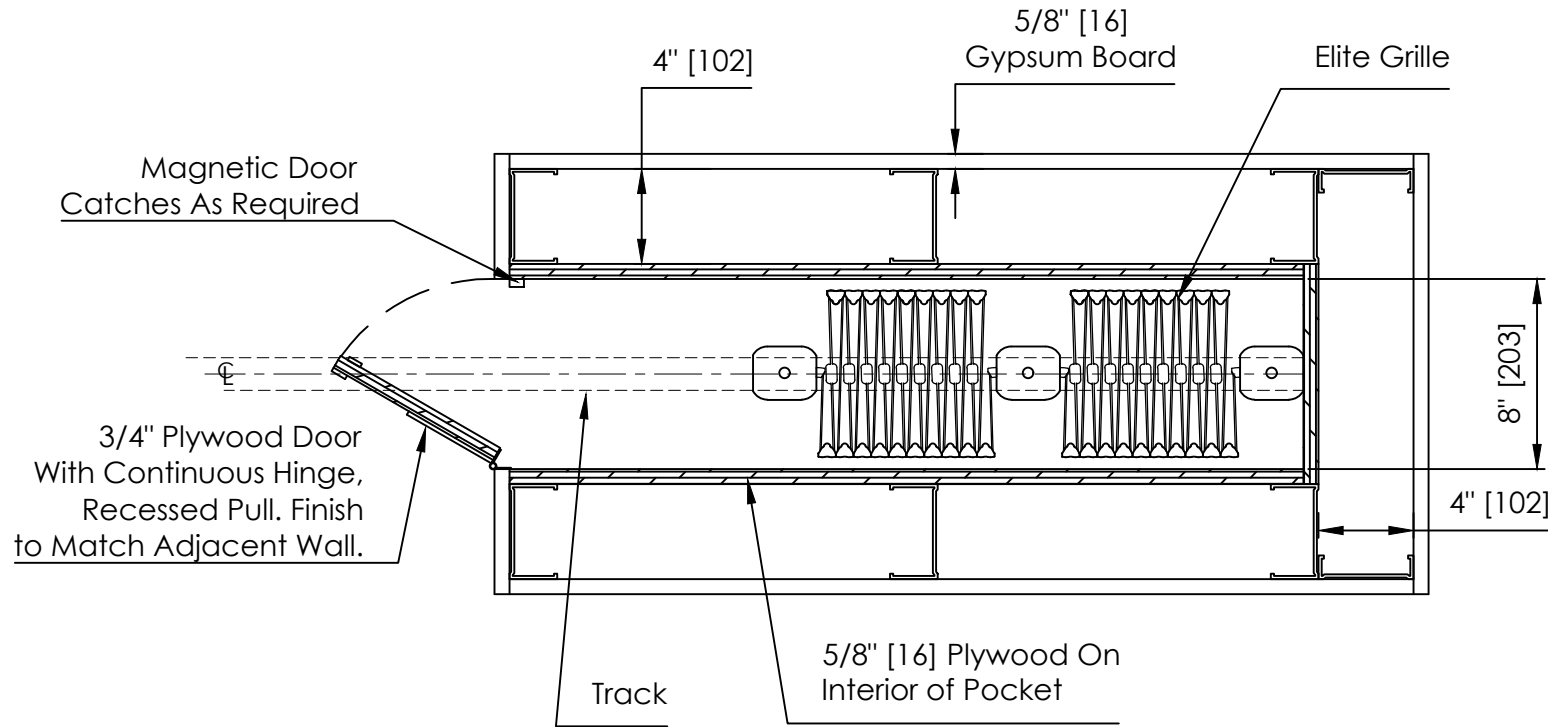


## Basic Pocket Construction



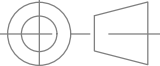

### Estimated Stack Depth Grille

Width Inches x 8% + (Number of Posts x 3) = Estimated Stack Depth (In.)

#### Example

(200 in. x 0.08) + (3 x 3) = 25 inches

**PROPRIETARY AND CONFIDENTIAL**  
 THE INFORMATION CONTAINED IN THIS DRAWING IS THE SOLE PROPERTY OF DYNAMIC CLOSURES. ANY REPRODUCTION IN PART OR AS A WHOLE WITHOUT THE WRITTEN PERMISSION OF DYNAMIC CLOSURES IS PROHIBITED.

	DIMENSIONS ARE IN INCHES STANDARD TOLERANCES APPLY UNLESS OTHERWISE INDICATED	DRAWN	INITIALS: PP	DATE: -			
	REVISIONS					PART NO. -	PART REV. -
		SYM.	DESCRIPTION	DATE	INITIALS		
		-		-	-		
MATERIAL	-	COMMENTS: -				DESCRIPTION	
FINISH	-					Elite Grille Basic Pocket Construction	
DO NOT SCALE DRAWING		SCALE: 1:8		WEIGHT:		SHEET 1 OF 1	