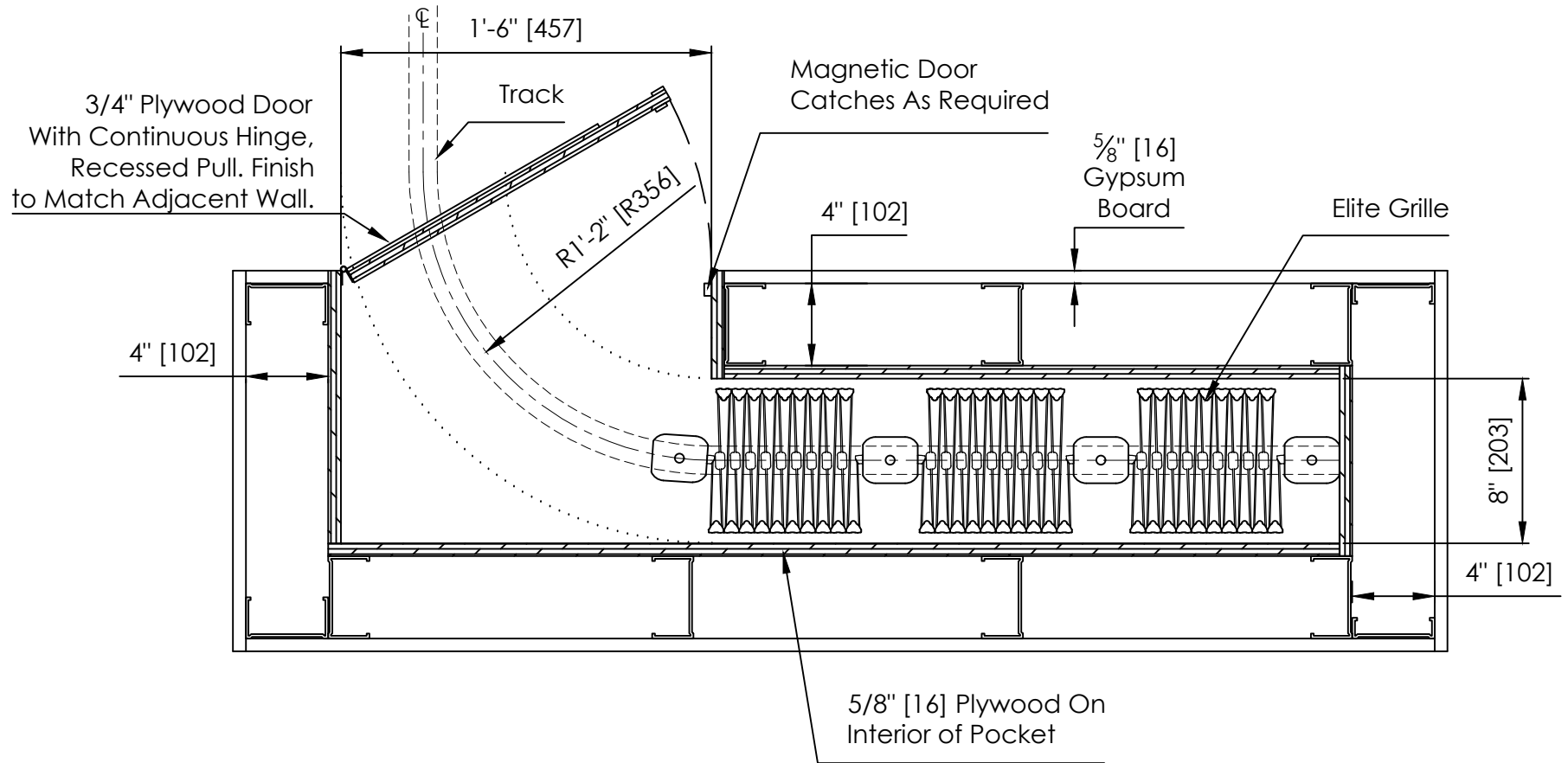


Basic Pocket Construction




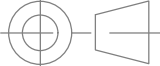
Estimated Stack Depth Grille

$(\text{Width Inches} \times 8\%) + (\text{Number of Posts} \times 3) = \text{Estimated Stack Depth (In.)}$

Example

$(200 \text{ in.} \times 0.08) + (3 \times 3) = 25 \text{ inches}$

PROPRIETARY AND CONFIDENTIAL
 THE INFORMATION CONTAINED IN THIS DRAWING IS THE SOLE PROPERTY OF DYNAMIC CLOSURES. ANY REPRODUCTION IN PART OR AS A WHOLE WITHOUT THE WRITTEN PERMISSION OF DYNAMIC CLOSURES IS PROHIBITED.

DIMENSIONS ARE IN INCHES STANDARD TOLERANCES APPLY UNLESS OTHERWISE INDICATED	DRAWN	INITIALS: PP	DATE: -			
	REVISIONS					
	SYM.	DESCRIPTION	DATE	INITIALS	PART NO. -	PART REV. -
	-	-	-	-	DESCRIPTION Elite Grille - 90° Basic Pocket Construction	
MATERIAL -	COMMENTS: -				SIZE A	
FINISH -					SCALE: 1:8	WEIGHT:
DO NOT SCALE DRAWING					SHEET 1 OF 1	