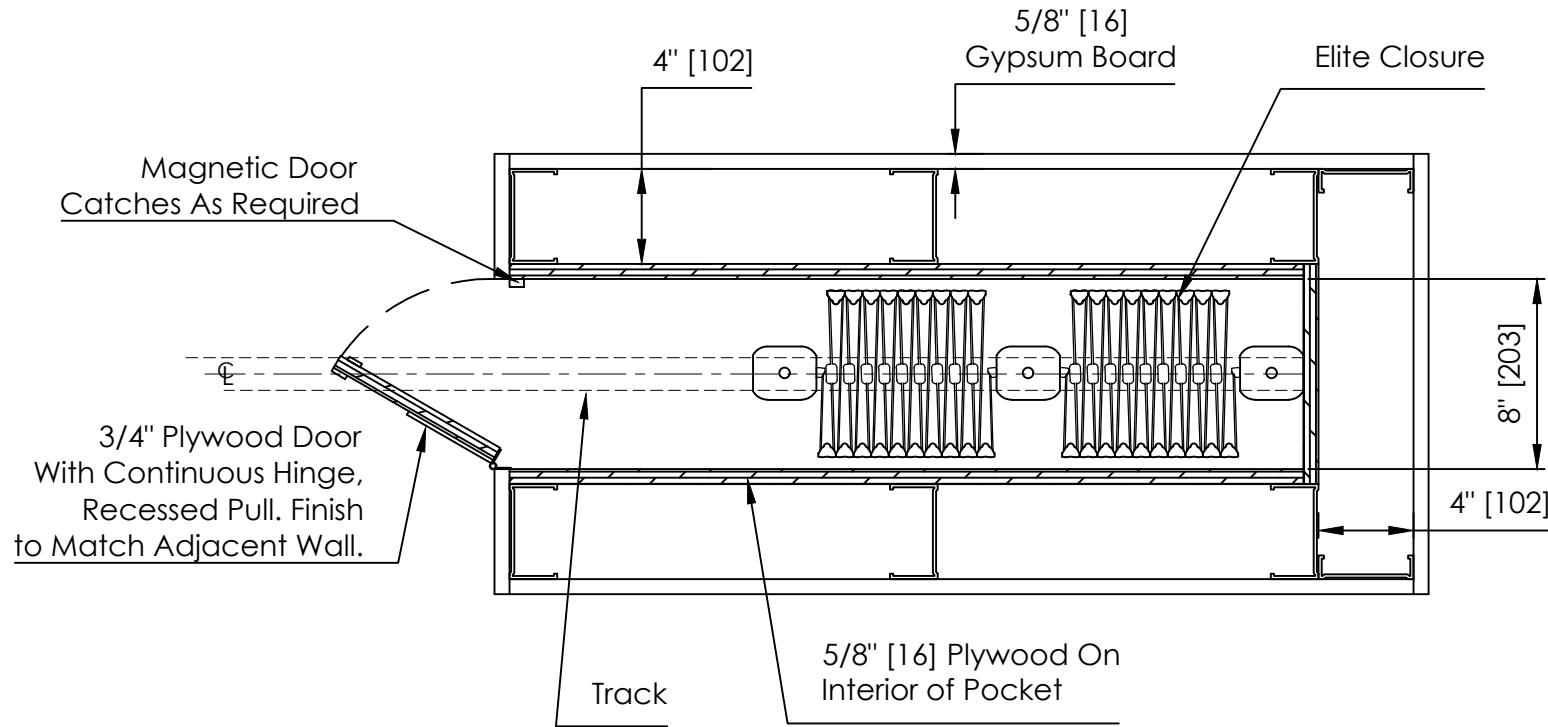


## Basic Pocket Construction



### Estimated Stack Depth Closure

Width Inches x 6% + (Number of Posts x 3) = Estimated Stack Depth (In.)

#### Example

(200 in. x 0.06) + (3 x 3) = 21 inches

**PROPRIETARY AND CONFIDENTIAL**  
 THE INFORMATION CONTAINED IN THIS DRAWING IS THE SOLE PROPERTY OF DYNAMIC CLOSURES. ANY REPRODUCTION IN PART OR AS A WHOLE WITHOUT THE WRITTEN PERMISSION OF DYNAMIC CLOSURES IS PROHIBITED.

	DIMENSIONS ARE IN INCHES STANDARD TOLERANCES APPLY UNLESS OTHERWISE INDICATED		DRAWN	INITIALS: PP	DATE: -		PART NO. - PART REV. -
			REVISIONS				
MATERIAL	-	FINISH	-	SYMBOL	-	DESCRIPTION	-
DO NOT SCALE DRAWING		COMMENTS: -		DATE	-	INITIALS	-
						DESCRIPTION <b>Elite Closure Basic Pocket Construction</b>	
						SIZE <b>A</b>	SHEET 1 OF 1
						SCALE: 1:8	WEIGHT: