

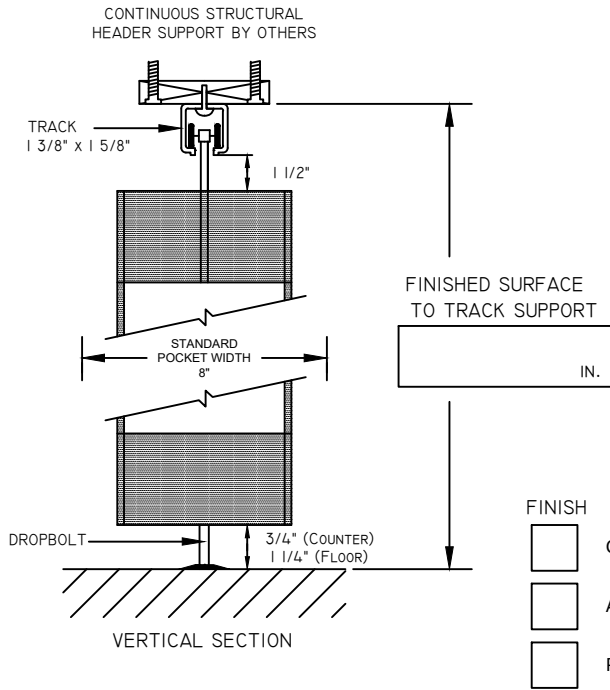


**DYNAMIC**  
CLOSURES

Canada  
P.O. Box 1296  
Cornwall, ON  
K6H 5V4

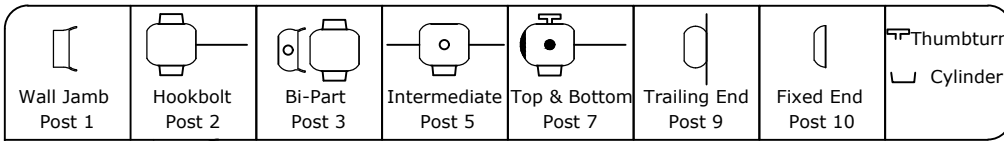
Tel: 1-800-663-4599  
Fax: 1-800-205-6665  
E-mail: customerservice@dynamicclosures.com

USA  
P.O. Box 627  
Massena, NY  
13662

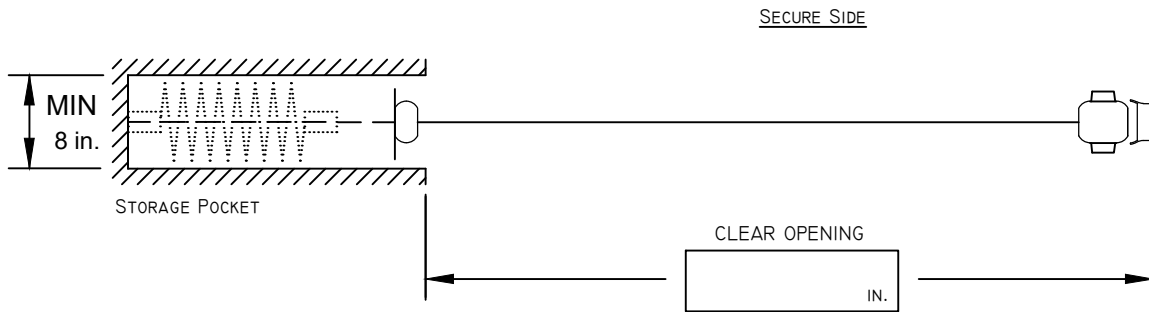


MODEL	Pattern	Model Name	Description
<input type="checkbox"/>		EL 126B	Brick Pattern
<input type="checkbox"/>		EL 126S	Straight Pattern
<input type="checkbox"/>		EL PRESTIGE	Polycarbonate Inserts
<input type="checkbox"/>		EL PARAVENT	Perforated Steel Inserts
<input type="checkbox"/>		EL OPAQUE	Solid Aluminum Inserts
<input type="checkbox"/>		EL AG	
<input type="checkbox"/>		EL 12	
<input type="checkbox"/>		EL 525	

FINISH	Description
<input type="checkbox"/>	Clear Anodized (standard)
<input type="checkbox"/>	Anodized - Other
<input type="checkbox"/>	Powder Coat



Post Legend



ALL DRAWINGS NOT TO SCALE

Customer Name: \_\_\_\_\_  
Customer Address: \_\_\_\_\_  
\_\_\_\_\_

Customer Phone: \_\_\_\_\_  
Customer Email: \_\_\_\_\_  
\_\_\_\_\_

Project Name: \_\_\_\_\_  
Project Address: \_\_\_\_\_  
\_\_\_\_\_