

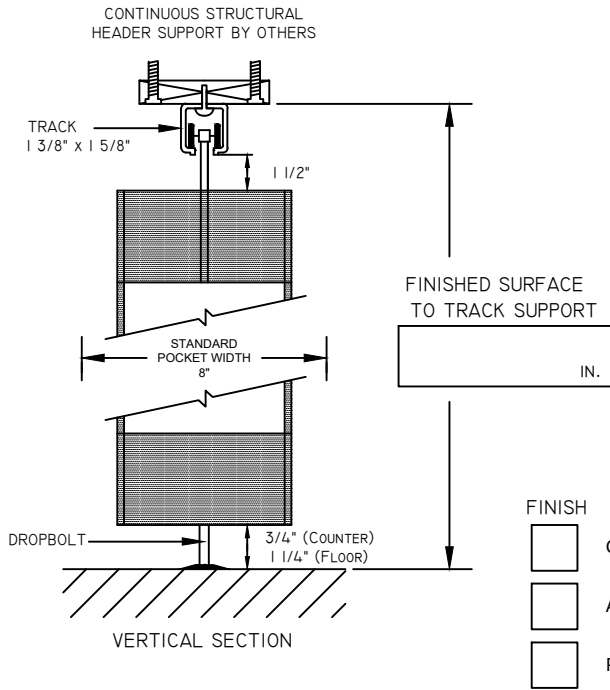


**DYNAMIC**  
**CLOSURES**

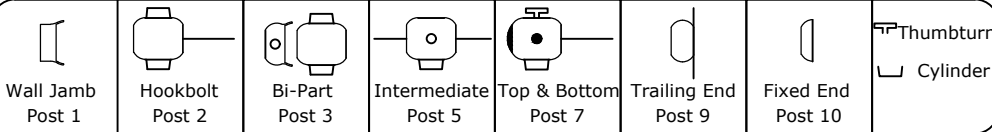
Canada  
P.O. Box 1296  
Cornwall, ON  
K6H 5V4

Tel: 1-800-663-4599  
Fax: 1-800-205-6665  
E-mail: customerservice@dynamicclosures.com

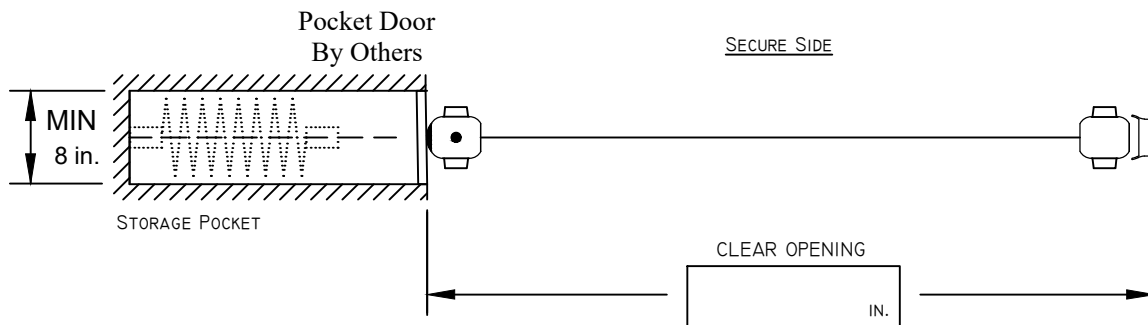
USA  
P.O. Box 627  
Massena, NY  
13662



MODEL	Pattern	Model Name	Description
<input type="checkbox"/>		EL 126B	Brick Pattern
<input type="checkbox"/>		EL 126S	Straight Pattern
<input type="checkbox"/>		EL PRESTIGE	Polycarbonate Inserts
<input type="checkbox"/>		EL PARAVENT	Perforated Steel Inserts
<input type="checkbox"/>		EL OPAQUE	Solid Aluminum Inserts
<input type="checkbox"/>		EL AG	
<input type="checkbox"/>		EL 12	
<input type="checkbox"/>		EL 525	



**Post Legend**



ALL DRAWINGS NOT TO SCALE

Customer Name: \_\_\_\_\_

Customer Address: \_\_\_\_\_

\_\_\_\_\_

Customer Phone: \_\_\_\_\_

Customer Email: \_\_\_\_\_

\_\_\_\_\_

Project Name: \_\_\_\_\_

Project Address: \_\_\_\_\_

\_\_\_\_\_