

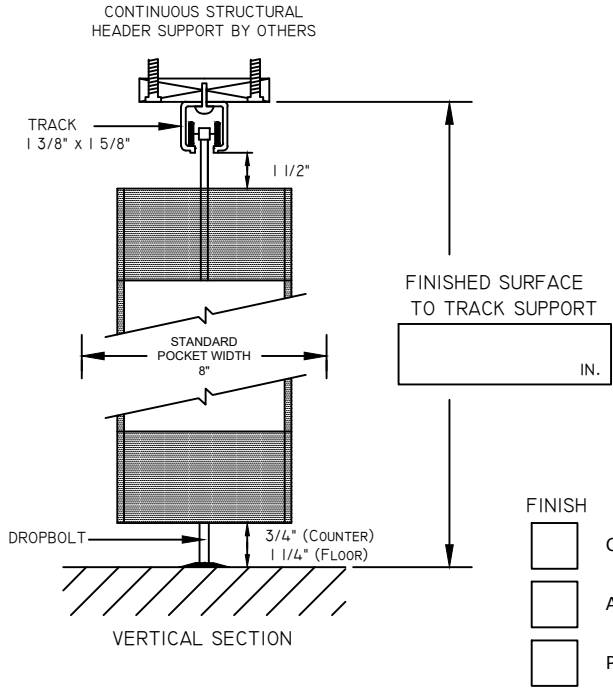


DYNAMIC
CLOSURES

Canada
P.O. Box 1296
Cornwall, ON
K6H 5V4

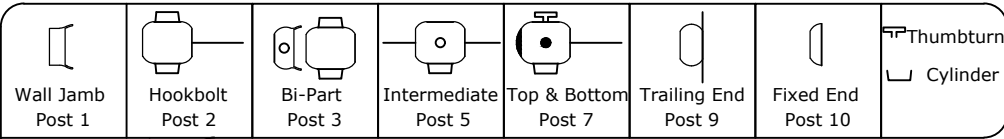
Tel: 1-800-663-4599
Fax: 1-800-205-6665
E-mail: customerservice@dynamicclosures.com

USA
P.O. Box 627
Massena, NY
13662



- FINISH
- Clear Anodized (standard)
 - Anodized - Other
 - Powder Coat

- MODEL
- EL 126B Brick Pattern
 - EL 126S Straight Pattern
 - EL PRESTIGE Polycarbonate Inserts
 - EL PARAVENT Perforated Steel Inserts
 - EL OPAQUE Solid Aluminum Inserts
 - EL AG
 - EL 12
 - EL 525

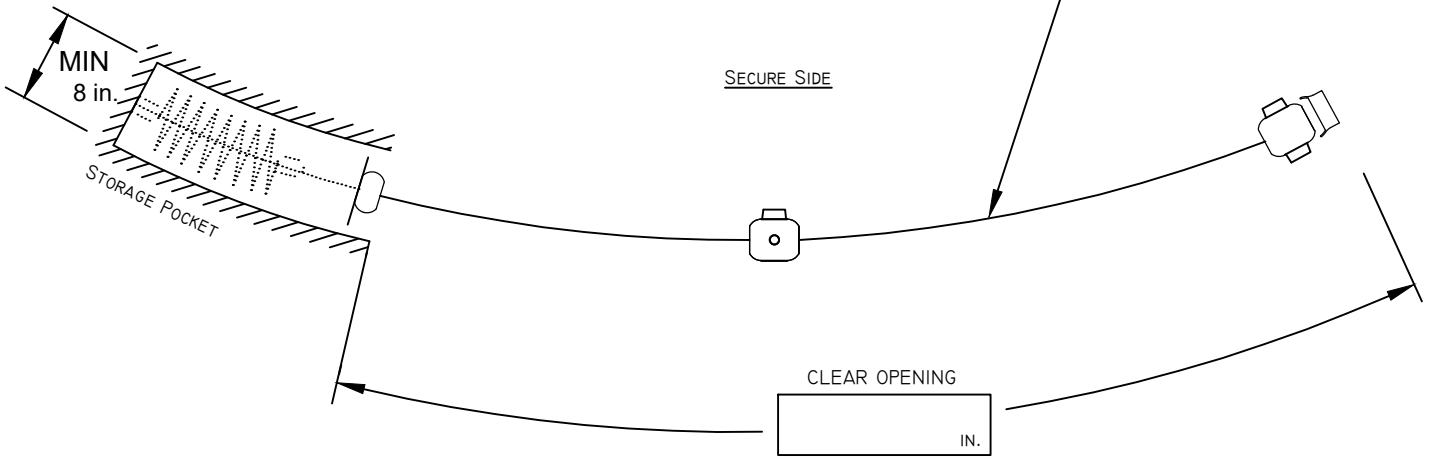


Post Legend

CUSTOM CURVE

LENGTH: IN.

RAD.: IN.



ALL DRAWINGS NOT TO SCALE

Customer Name: _____

Customer Address: _____

Customer Phone: _____

Customer Email: _____

Project Name: _____

Project Address: _____