

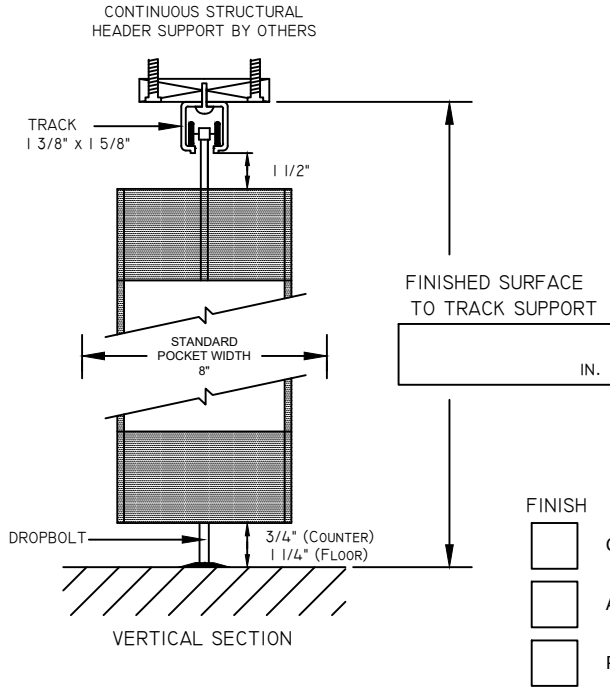


**DYNAMIC**  
**CLOSURES**

Canada  
P.O. Box 1296  
Cornwall, ON  
K6H 5V4

Tel: 1-800-663-4599  
Fax: 1-800-205-6665  
E-mail: customerservice@dynamicclosures.com

USA  
P.O. Box 627  
Massena, NY  
13662



MODEL		
<input type="checkbox"/>		EL 126B Brick Pattern
<input type="checkbox"/>		EL 126S Straight Pattern
<input type="checkbox"/>		EL PRESTIGE Polycarbonate Inserts
<input type="checkbox"/>		EL PARAVENT Perforated Steel Inserts
<input type="checkbox"/>		EL OPAQUE Solid Aluminum Inserts
<input type="checkbox"/>		EL AG
<input type="checkbox"/>		EL 12
<input type="checkbox"/>		EL 525

Wall Jamb Post 1	Hookbolt Post 2	Bi-Part Post 3	Intermediate Post 5	Top & Bottom Post 7	Trailing End Post 9	Fixed End Post 10	Thumbturn	Cylinder

**Post Legend**

ALL DRAWINGS NOT TO SCALE

Customer Name: \_\_\_\_\_

Customer Address: \_\_\_\_\_

\_\_\_\_\_

Customer Phone: \_\_\_\_\_

Customer Email: \_\_\_\_\_

\_\_\_\_\_

Project Name: \_\_\_\_\_

Project Address: \_\_\_\_\_

\_\_\_\_\_