

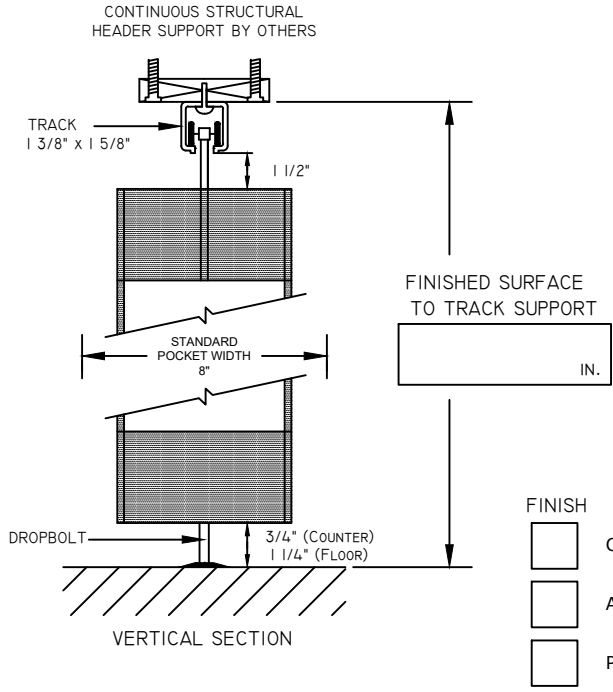


DYNAMIC
CLOSURES

Canada
P.O. Box 1296
Cornwall, ON
K6H 5V4

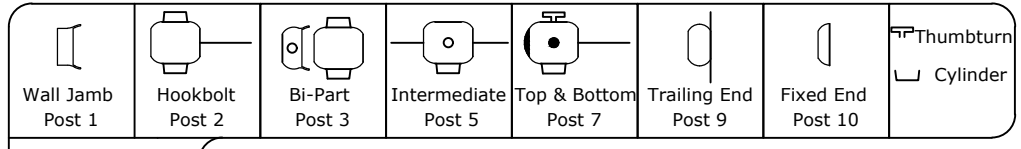
Tel: 1-800-663-4599
Fax: 1-800-205-6665
E-mail: customerservice@dynamicclosures.com

USA
P.O. Box 627
Massena, NY
13662

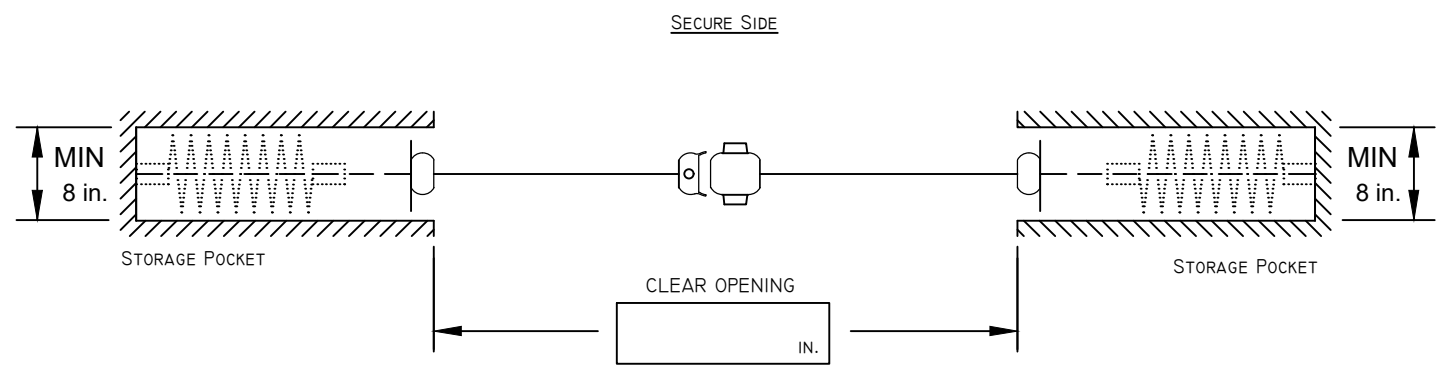


- FINISH
- Clear Anodized (standard)
 - Anodized - Other
 - Powder Coat

- MODEL
- EL 126B Brick Pattern
 - EL 126S Straight Pattern
 - EL PRESTIGE Polycarbonate Inserts
 - EL PARAVENT Perforated Steel Inserts
 - EL OPAQUE Solid Aluminum Inserts
 - EL AG
 - EL 12
 - EL 525



Post Legend



ALL DRAWINGS NOT TO SCALE

Customer Name: _____	Customer Phone: _____	Project Name: _____
Customer Address: _____	Customer Email: _____	Project Address: _____
_____	_____	_____