

Side Folding Door Quick Specifications

Max Height	Max Width	Panel Width	Min Pocket Width	Weight Stacked	Weight Extended
in. [mm]	in. [mm]	in. [mm]	in. [mm]	lbs per ft ² [KG per m ²]	lbs per ft ² [KG per m ²]
168 [4267.2]	Unlimited	6 [153]	8 [204]	5.5 [26.8]	1 [4]

Choice Of Quality Anodized Finish On All Exposed Aluminum Parts.
 Note: Colors May Not Be Exactly As Shown.
 Cut And Sheared Edges Will Be Bare Aluminum.

Track – The Durable Hardened Track Allows For Smooth Operation.
 Optional Curves And Custom Curves Available.

Stock Anodized Finish



Clear

Optional Anodized Finishes



Champagne



Light Bronze

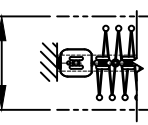


Bronze

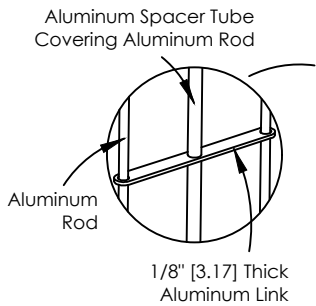
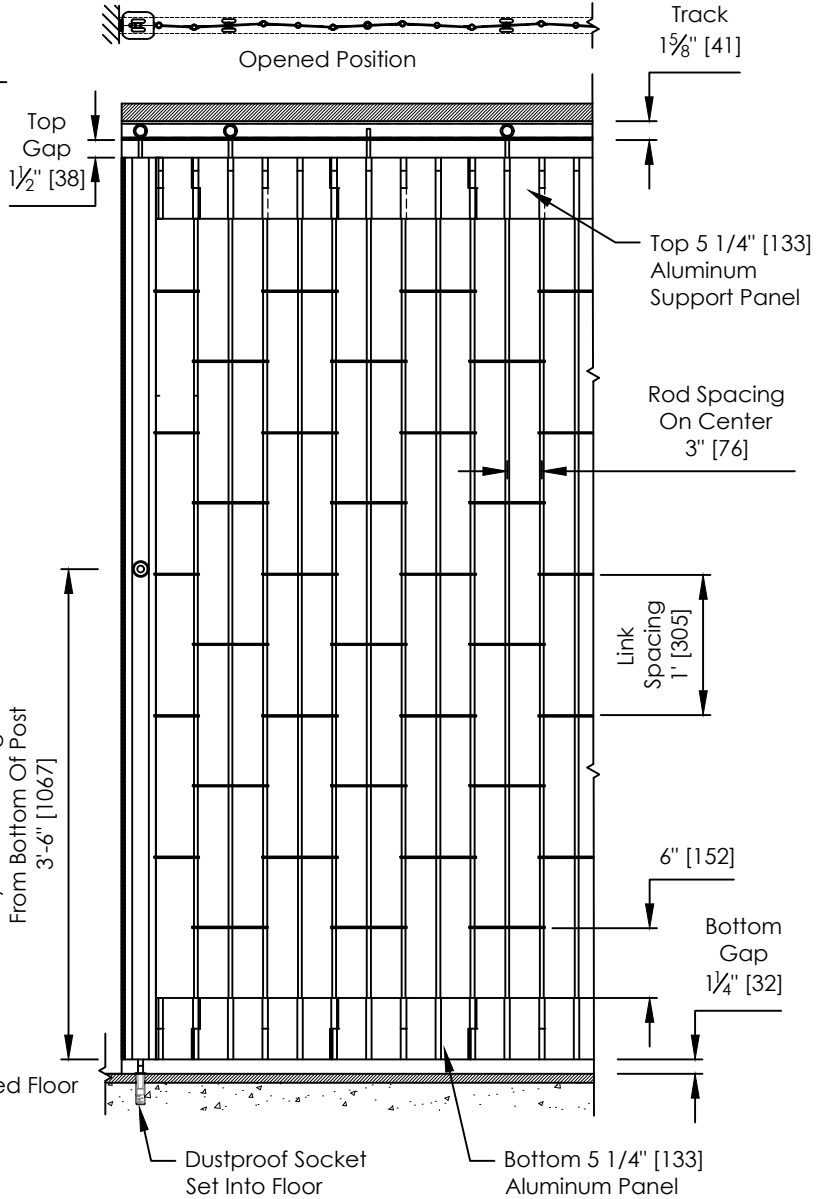
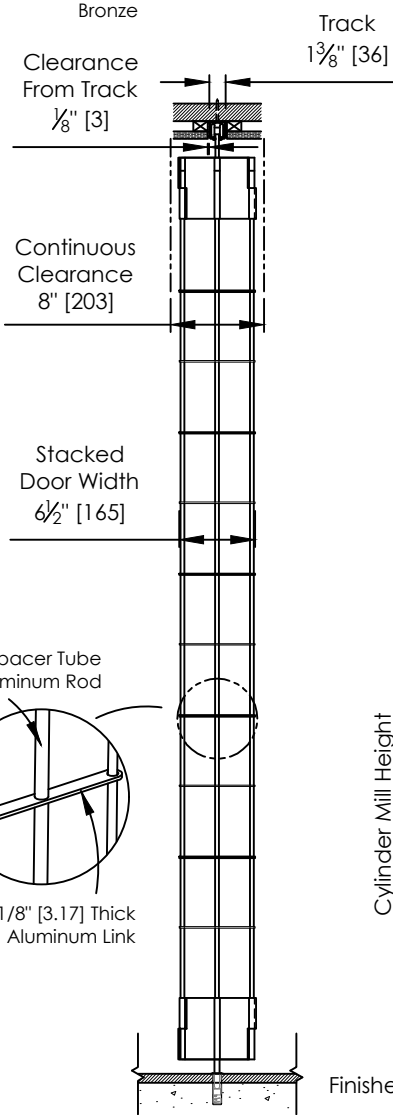
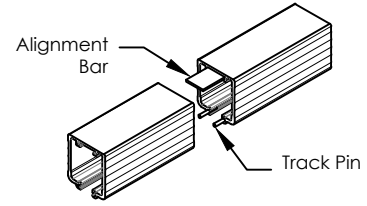


Black

Continuous Clearance 8" [203]



Stacked Position



DIMENSIONS ARE IN INCHES STANDARD TOLERANCES APPLY UNLESS OTHERWISE INDICATED	DRAWN	INITIALS: -	DATE: -	
	REVISIONS			
	SYM.	DESCRIPTION	DATE	INITIALS
	-	-	-	-
PROPRIETARY AND CONFIDENTIAL THE INFORMATION CONTAINED IN THIS DRAWING IS THE SOLE PROPERTY OF DYNAMIC CLOSURES. ANY REPRODUCTION IN PART OR AS A WHOLE WITHOUT THE WRITTEN PERMISSION OF DYNAMIC CLOSURES IS PROHIBITED.	MATERIAL	-		
	FINISH	-		
DO NOT SCALE DRAWING	COMMENTS: -			



PART NO.	-	PART REV.	-
DESCRIPTION	S-126 Brick Pattern (Full Height)		
SCALE: 1:16	WEIGHT:	SHEET 1 OF 1	