

SIDE FOLDING POST ADJUSTMENTS



TABLE OF CONTENTS

Tools Required.....	1
Warnings and Safety Information.....	1
General Notes.....	1
Post Identification.....	2
Post to Curtain Connections.....	2
P01/P03 Lock Plate Height Adjustment.....	2
P01/P03 Cylinder Removal.....	3
P03 Lock Rod Adjustment.....	3
P05/P07 Cylinder Removal.....	3
P05/P07 Lock Rod Adjustment.....	3
P09 Adjustment.....	4
Post Height Adjustment – All Posts.....	4
Pull Strap Adjustment.....	4

TOOLS REQUIRED

- Ladder or Work Platform
- Cordless Drill / Corded Drill with Extension Cord
- Drill Bits
- 5/64" Hex Key
- Flat Head Screwdriver
- #2 & #3 Square Screwdriver or Driver Bits
- #2 & #3 Phillips Screwdriver or Driver Bits (Star)
- 7/16" Wrenches or Sockets
- 9 oz. Hammer
- Rubber Mallet
- Pencil
- Measuring Tape
- Utility Scissors or Knife

WARNINGS AND SAFETY INFORMATION

Carefully read and understand the following safety information before installing or repairing these products.

If you do not understand these instructions or have any questions about the product or its installation, contact customer service at (800) 663-4599.

Intended Use

The products provided are intended for daily use by trained individuals.

High cycle use, improper handling, or abuse of the product may cause premature failure of components, leading to possible serious injury to persons, or damage to property.

Use supplied bi-part posts to separate doors into manageable sections for transport.

Some of these products contain curved track. Special attention is required to guide doors through the curved track sections to avoid excess wear and damage to components and adjoining surfaces.

The product contains metal edges and corners that may be sharp. During operation, only handle the doors by way of the operating posts or smooth panel or hinge surfaces to avoid injury.

The product may contain egress door sections and other egress-related hardware. Ensure that all of these components are functioning according to applicable codes and regulations. Any persons operating the product must be trained in the setting and handling of these components to ensure proper function in case of an emergency.

Structure

Before installing the door, verify that all mounting surfaces are capable of safely supporting the attached loads.

Ensure that all connections to the structure are secure and that suitable fastening materials are used.

General Safety Instructions

The installation and repair of these products should only be carried out by specialists or competent individuals. General knowledge in proper construction techniques, safe tool use, and job site safety are required.

Installation of these products may require overhead work and/or the use of ladders or elevated work surfaces. Use head protection where appropriate and follow all safe use guidelines for any equipment used.

Some of the products supplied may be heavy. Use lifting devices where appropriate and follow safe lifting practices.

It is the installer's responsibility to follow all local, state, and national regulations and codes, which supersede any information previously received.

We strive to provide all materials and components accurately as ordered by the customer, however it is the installer's responsibility to ensure that all components installed function in a safe and approved manner.

GENERAL NOTES

Proper installation and adjustment of door components is vital in ensuring that the product operates correctly and without problems for years to come.

Double-check all connections and component operation.

Pay particular attention to:

- Fasteners – Verify that all door components are securely fastened and that any fastening to the building structures is done with the appropriate fastener type and quantity.
- Track joints – Verify they are tight, de-burred, and both pins and alignment bars span the joint.
- Wheels – Verify all wheels are facing the correct way and travel smoothly over the length of track.
- Locking points – Verify proper lock function at all locking points.
- Clearances – Verify that the door has a free path of travel over the entire length of track, including the storage pocket area.

Finally, ensure that the personnel who will be operating the door have received proper training in its use and operation. Many field issues that arise are caused by improper use by unqualified operators.

POST IDENTIFICATION

SYMBOLS, NUMBERING AND NAMING

Post Name	Wall Channel	Hookbolt	Bipart	Intermediate	Top & Bottom	Trailing	Fixed
Post Number	1	2	3	5	7	9	10
Approval Drawing Symbol							
Elevation View							

POST DESCRIPTIONS

P01 – Wall Channel

A floor-to-track extruded aluminum channel that the hookbolt fits and locks into. This channel is secured permanently to the wall.

P02 – HookBolt Lead

One of the options for the leading edge of the door. This Post has a hookbolt lock that secures it to the Wall Channel. Optional Double Hookbolt or Top Locking available.

P03 – Bipart

A pair of posts that lock together with a hookbolt, with an added lock rod to keep curtain in place. It is used to separate larger doors into manageable sections, or to split the door to stack in two different directions. Doors should have at least one Bipart Post for every 30' [9144 mm] of width. Optional Top Locking available.

P05 – Intermediate Post

A middle post in a door located between door sections, containing a spring-loaded lock rod that engages a floor or counter socket to keep the door in place. As well as being located at intervals (no more than 10' [3048 mm]) along straight sections of door, Intermediate Posts should be placed on or near the center of curves.

P07 – Top and Bottom Locking Post

One of the options for the ends of a door. Spring-loaded lock rods engage a Floor or Counter Socket and the track support, and are unlocked with a keyed cylinder or thumbturn. Optional leading edge treatments include rubber bumper, flange, or blank face.

P09 – Traveling End Post

The Trailing Post terminates a door inside of storage area. It is free to travel back and forth inside of the pocket. The post self-locks into the permanent header and floor stops, preventing the door end from leaving the pocket. A rear flange helps fill the opening to the side of the post to prevent reach through.

P10 – Fixed End Post

Fixes the end of a door permanently to a wall or structure.

POST TO CURTAIN CONNECTIONS

Place the curtain section close to the post.



Insert the hood end of the connector into the slot on the post and rotate the curtain connector flat against the post.



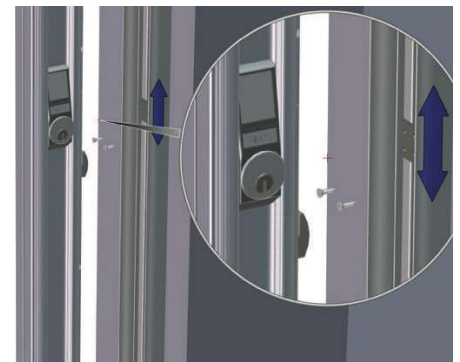
Flush the connector with either the top or bottom of the post.



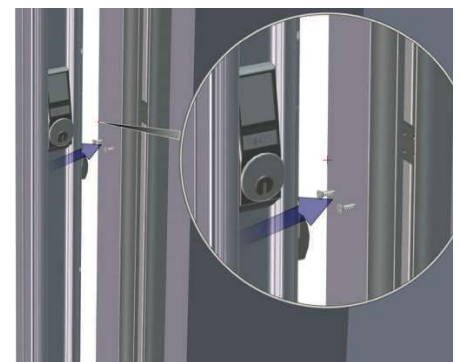
Attach by inserting the #6 self drilling screws in the screw channel. Place screws 2" from each end and spaced every 18".

P01/P03 LOCK PLATE HEIGHT ADJUSTMENT

Remove the two retaining screws in the lock plate and adjust the plate up or down.

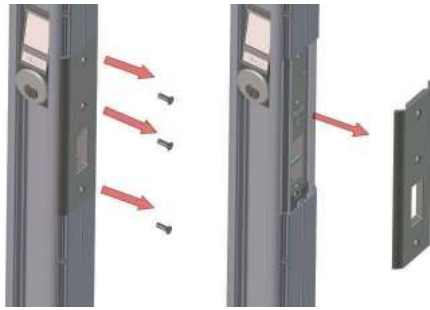


Re-fasten the plate to the post. Use alternate mounting holes if required. Test for proper function with hookbolt.



P01/P03 CYLINDER REMOVAL

Remove the 3 retaining screws and the cover plate.



Loosen the set screw.



Remove the cylinder by unscrewing it counter-clockwise.

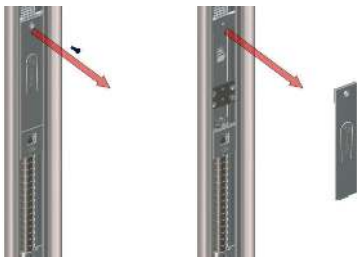
Hint: A partially-inserted key makes turning the cylinder easier.



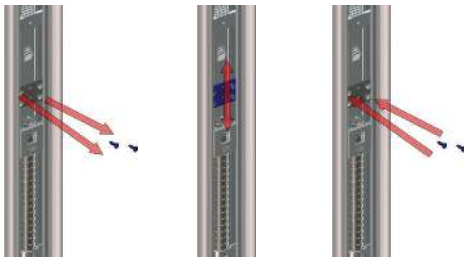
P03 LOCK ROD ADJUSTMENT

ADJUSTING THE LOCK ROD THROW – FEMALE BIPART

Remove the retaining screw and the lock cover plate.



Remove the two screws in the lock plate.



Adjust the plate up to shorten throw, or down to lengthen throw.

Replace the lock plate retaining screws.

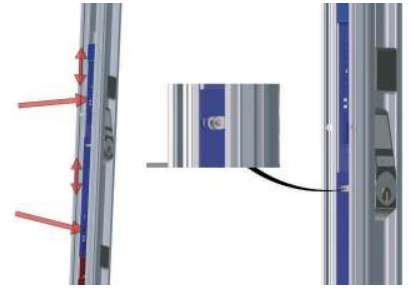


Replace the cover plate and retaining screw.

P05/P07 CYLINDER REMOVAL

Unlock the post so that the lock plate(s) retract.

Adjust the lock plates up/down (if required) so that the set screws in the lockset are accessible through the oval cutouts (see instructions on next page.).



Remove the two screws in the lock plate.

Adjust the plate up to shorten throw, or down to lengthen throw.

Replace the lock plate retaining screws.



Replace the cover plate and retaining screw.



P05/P07 LOCK ROD ADJUSTMENT

Hanger stem

Remove this side

Remove the side of the post closest to the hanger stem.

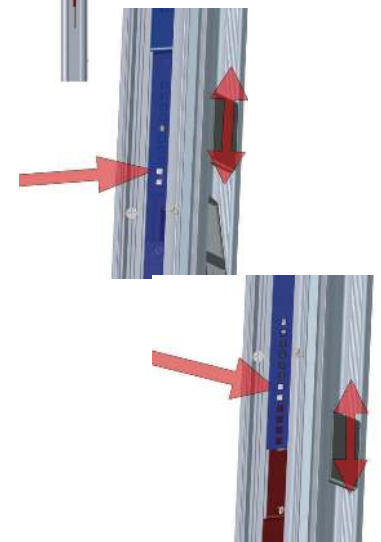
The top lock rod will always travel 1.5" from unlocked to locked, but the position is variable.

The bottom lock rod will always retract to the same unlocked position, but the length of throw is variable.

To adjust the stickout of the top rod, or to adjust the length of throw on the bottom lock rod.

Depress the spring-loaded pins in the lock plate

Slide the plate up or down in 1/4" intervals until the pins engage the lock plate at the required height.



P09 ADJUSTMENT

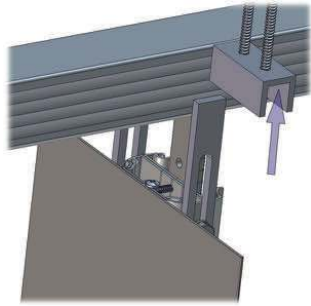
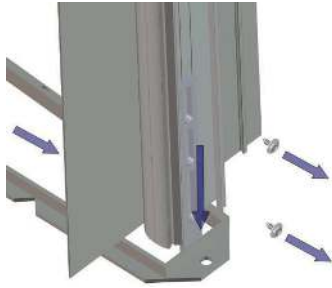
Position trailing post behind V-stop.

Loosen the retaining screws and lower the bottom stop until it is just off the floor.

Check that the stop clears the floor through the entire pocket area. Adjust if necessary.

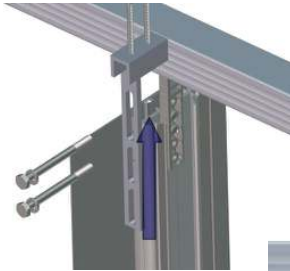
Move trailing post until the bottom stop is up against the V-stop.

Check that the post is hanging plumb.

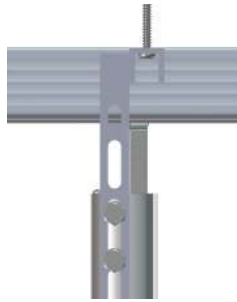


Install ceiling stop with #10 and 2" screws just in front of the post top stop.

Loosen the hex bolts to adjust the height of the top stop.



Raise the top stop so that it catches the ceiling stop. Leave as little clearance as possible between the top stop and the ceiling.

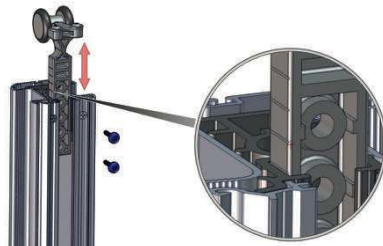


POST HEIGHT ADJUSTMENT - ALL POSTS

Remove the two screws holding the hanger in place.



Adjust the height of the hanger. Use the indexing marks on the side of the post hanger as a guide (1/4" intervals).



Indexing Marks
1/4" intervals

Replace the hanger screws. Select appropriate holes to ensure that both screws have purchase in the support block



PULL STRAP ADJUSTMENT

Pull straps are supplied with leading end posts on all counter-height doors and taller full-height doors.

The pull strap allows the operator to move the door sections smoothly, as they pull the door from a higher point than can be grasped by hand.

Unravel the pull strap and unlatch the buckle. Position the bottom of the pull strap at a comfortable height for the operator. This is typically 1" above lock components on full-height posts. Doors on tall counters may require the strap to hang below the lock components to be easily accessible. Consult with customer for best position if in doubt.

Ensure the hook and loop fastener above the handle is located in an area where it can be adhered to the post.



Trim excess strap below the top of the buckle and cinch closed.



Remove the backing from the hook and loop located above the handle. Pull strap so that it is hanging straight and press firmly to adhere to post.

