

# **ROLLING**

**Grilles and Closures**

## **Installation Instructions**



**DYNAMIC<sup>®</sup>**  
**[www.DynamicClosures.com](http://www.DynamicClosures.com)**

[Info@DynamicClosures.com](mailto:Info@DynamicClosures.com)

1-800-663-4599

## Notes:

- The following instructions are written on the assumption that those installing this product are experienced in the installation of rolling doors.
- It is important that these instructions, together with the supplied shop drawings, are reviewed carefully before work commences.
- The drawings will indicate the orientation of operator and charge sides of the door as viewed from the coil side.
- The charge end of the barrel and related bracket plate will be labeled red. The operator end and related bracket plate will be labeled green. It is critical that the door be installed in the proper orientation, or improper winding of the assist spring may occur, resulting in damage to the product.

## Step 1

Before installing support tubes or angles, verify that the floor from one support to the other is level. If not, compensate for the uneven conditions. The provided supports have been pre-drilled for the bracket plates. Failure to ensure they are mounted level may result in damage to the door, and/or poor operating characteristics.



## Step 2

Locate the exact position of the supports in accordance with the supplied shop drawing.

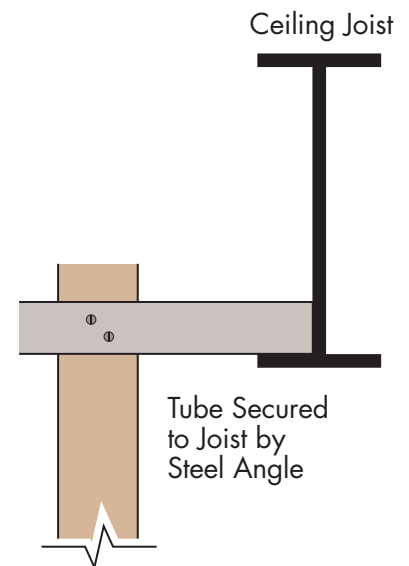
If installing tubes, ensure that they are square to the line of the door. Mark the location of the base of the tubes. Remove the mounting angles from the base of the tubes and secure to floor using supplied sleeve anchors. Pre-drill using 5/8 in. masonry bit.

Anchor the tubes to the structure above by welding or bolting to existing bar joints, clip angles lagged to concrete ceiling, etc.

If installing angles, verify that the holes for the bracket plates are level, and secure the angles to the supporting structure in the orientation indicated in the shop drawings. Use fasteners that are appropriate to the support material and that will bear the required load.

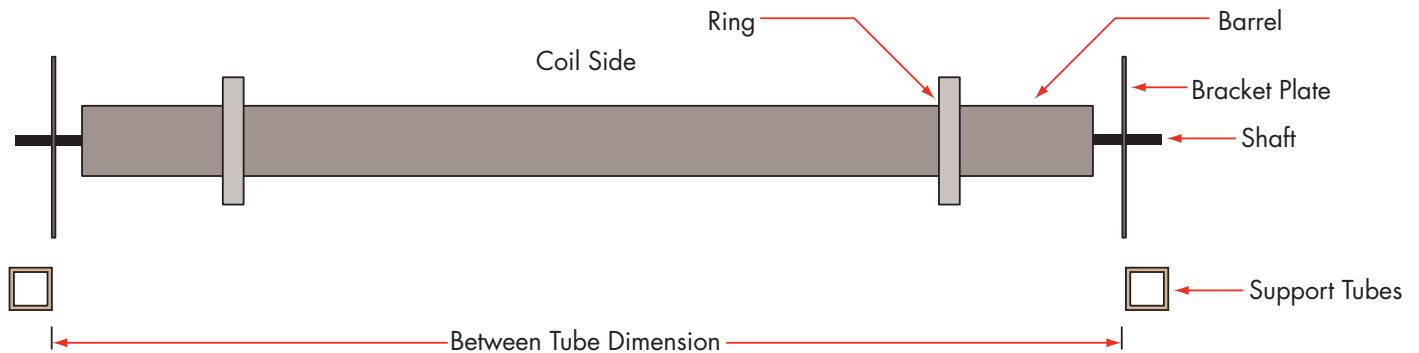
It is imperative that the supports are installed plumb and level in all directions.

The installer must verify that the supports for the rolling door are anchored properly to support the load of the door and keep it stable during operation.



### Step 3

Place the barrel on the floor near the supports. Orient the barrel so that the operation and charge ends are as indicated on the shop drawing.



Match the bracket plates to the appropriate ends of the barrel and install them on the shaft with the labeled side facing in. **Important: Read labels for proper installation.**

For an inside charge application, the plates will be installed flush with the ends of the shaft. For an outside charge application, the plates are to be installed so that the outside face is 2.5 in. from the end of the pipe.

Secure the operator plate to the shaft using the set screws in the bearing.

Place the charge wheel on the shaft at the charge end of the barrel, secure in place, and slide the charge pin through the charge pin holder on the plate and into the charge wheel. This will keep the charge plate in place until as the barrel is raised.

If a motor or other operator is being used, the sprocket can be installed at this time.

### Step 4

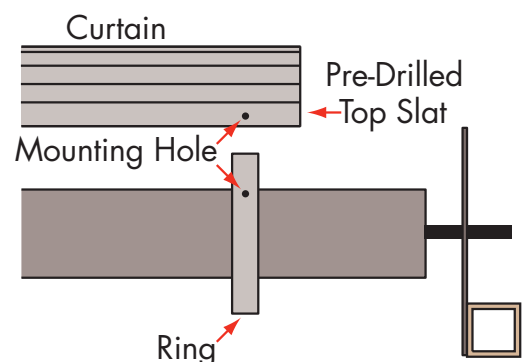
Using a block and tackle, contractor lift, or other safe method, hoist the barrel into place and bolt the bracket plates to the supports using the 1/2 in. bolts provided.

If needed, adjust the position of the shaft in the endplates so that the plates are square, and the barrel is centered between them.

### Step 5

**Important: Read labels for proper installation.** Using 6 ft. long straps or rope, hang the coiled curtain under the barrel by making slings approx. every 4 ft. along the length.

Rotate the barrel until the mounting holes in the rings are accessible, and bolt the pre-drilled top slat of the curtain to them.



## Step 6

Using a steel bar, slowly turn the charge wheel to wrap the curtain onto the barrel.

Standing on the coil side of the door, lodge the bar into the charge wheel and pull toward you until the charge pin can move freely. Pull out the charge pin and continue to rotate the charge wheel. Re-insert the charge pin and reposition the steel bar for the next stroke.

You'll notice that the charge wheel will turn more than the barrel. That's because, as the charge wheel is turned, some charge will be added to the torsion spring inside the barrel. Keep track of how many rotations you put on the charge wheel. When the door is fully coiled, subtract the number of turns of the barrel from the number of turns of the charge wheel to find out how many turns of charge you have applied to the torsion spring inside.

It is important to not let the door wind too rapidly, as the bottom bar may come over the top of the barrel due to the charge, and could cause damage or personal injury.

When the curtain is completely coiled onto the barrel, secure it with a rope or strap so that it can't unwind or turn.

## Step 7

Install the guides. The warranty sticker indicates the interior side of the guide.

The bottom of the cutaway at the bell-mouth should be flush with the bottom of the bracket plate. Refer to the shop drawing for centerline location.

If installing to tubes, use the #10 flat head self-tapping sheet metal screw that will nest into v-groove in back of guide. Use 11/64 in. drill bit if supplying tubes.

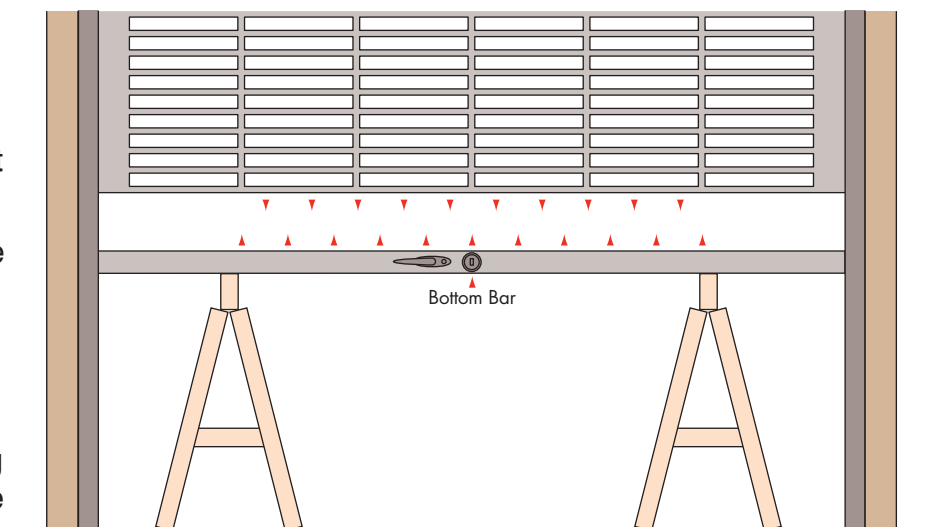
If installing to angles, use the 1/4 in.-20 machine screws provided.

## Step 8

Place the bottom bar in the guides. The bottom bar can either be left resting on the floor, or, to make attachment easier, place a couple of saw horses in the opening to rest it on.

Carefully unwind the curtain into the guides. It is recommended that a second person control the movement of the door at the barrel.

Lower the curtain until it reaches the bottom bar. Insert all connecting pieces of the curtain into the groove on the top of the bottom bar.



Fasten using supplied #6 x 1/2 in. sheet metal screws in pre-drilled holes.

## Step 9

Referring to the label on the inside of the charge plate, roll the door up to the top stops and add the rest of the charge as indicated for the “up” position. Remember, some charge had already been added in Step 6.

A properly balanced door will remain against the stops at the top without dropping, but will be able to be closed without difficulty against the floor.

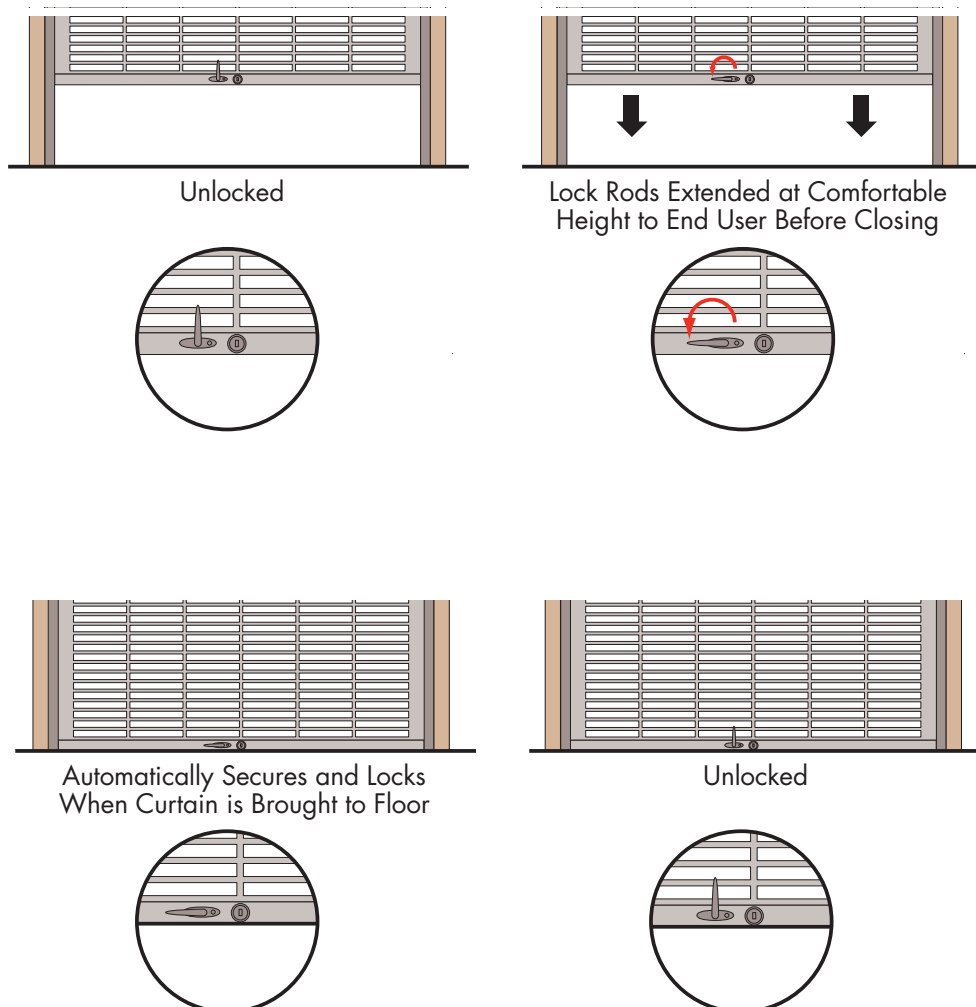
Doors charged for egress or doors with motors may have different characteristics.

## Step 10

Verify that the locks work properly. The spring stops provided in the base of the guides allow for the shootbolts to be extended via the lock at any height, and for the bottom bar to lock automatically when pressed to the floor.

If needed, adjust the height of the spring stops in the guides to ensure proper locking and minimum gap under the locked bottom bar (usually around 1/4 in. - 1/2 in.).

The throw of the shootbolts is factory set, and should not have to be modified. If, however, adjustment is needed, it may be changed via the access panel under the bottom bar. Separate complete instructions are available.



**Options:**

Pull handles are provided loose with the bottom bar. If required to aid in the operation of the door, install on the face of the bottom bar using screws provided.

If a hood is provided, the bracket plates will be equipped with tabs to secure it to. Longer endplates may be seamed and have sag brackets that will need to be fastened in place to support the hood.

Operators such as motors or hand cranks should be installed by qualified personnel in the manner shown on the shop drawing.

*Although these instructions attempt to cover the majority of installation situations, there are many factors that can affect the work on-site. Some of the above steps may need to be modified to account for custom options, oversized doors, or unique site conditions.*

**Upon completion, the installer is to verify that all components of the door work properly.**

**Ensure that the door is left clean and the keys are delivered to the customer.**

Please recycle packaging materials where possible.

Dynamic Closures thanks you for your professionalism and for your hard work in ensuring a successful project.

**We look forward to dealing with you again.**



**DYNAMIC<sup>®</sup>**  
**www.DynamicClosures.com**

If you have any questions, please contact our customer service team at 800-663-4599.